



PG16/PG21/PG29/PG36 Cable Gland Instructions

To correctly use the **Cable Gland**, determine the diameter(s) of the cable(s) you want to run into the enclosure. Select an end mill (best) or drill bit of the same diameter or slightly larger. While the **Cable Gland** is assembled, mill or drill a hole for each cable centered on the split line in the **Split Insert**.

Note: To get the cleanest hole, do the following:

1. Use an end mill.
2. Mill from the Crown Nut side.
3. When Milling the hole, back out and clean the mill flutes frequently (every 1/4" of depth).
4. Chill down end mill before milling each hole.

To install the cable(s), unscrew the **Crown Nut** and remove the **Split Insert**. Slide the cable connector through the hole in the **Crown Nut**, then through the hole in the **Cable Gland** body. Join the 2 sides of the **Split Insert** around the cable and press the **Split Insert** back into the **Cable Gland** body. Tighten the **Crown Nut** back on the body.

And you're finished! You should now have a liquid tight seal around the cable without having to remove/replace the cable connector.

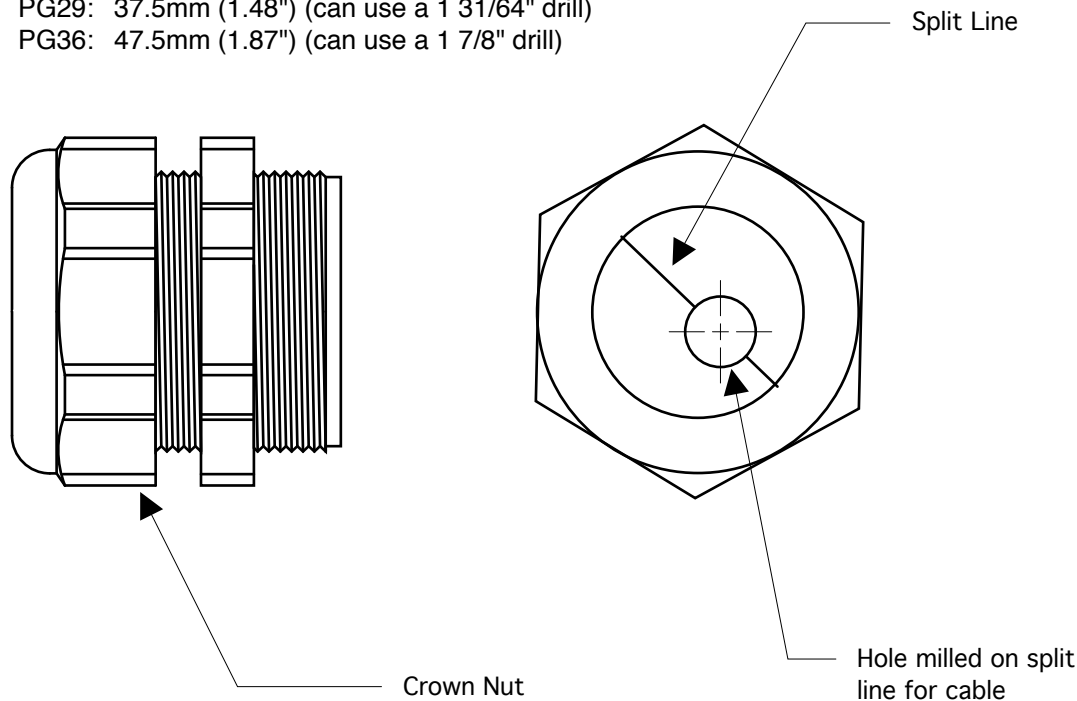
Note: For bulkhead installations, drill or punch the following mounting hole sizes:

PG16: 23.0mm (.891") (can use a 29/32" drill)

PG21: 28.3mm (1.14") (can use a 1 1/8" drill)

PG29: 37.5mm (1.48") (can use a 1 31/64" drill)

PG36: 47.5mm (1.87") (can use a 1 7/8" drill)



Note:

When cutting holes in the PG16s, be sure to use an end mill. Drills work very poorly in this size insert.

Replacement/Additional PG16/PG21/PG29/PG36 Cable Glands

PG16, PG21, PG29 & PG36 cable glands are available separately for running your cables through bulkheads, enclosure sides, etc.

BA Series – Standard (All cable glands are RoHS compliant)

Part Number	Description
PG16-BA	PG16 Lock ring, Polyamide Body/crown nut, TPE insert, Polyethylene seal
PG21-BA	PG21 Lock ring, Polyamide Body/crown nut, TPE insert, Polyethylene seal
PG29-BA	PG29 Lock ring, Polyamide Body/crown nut, TPE insert, Polyethylene seal
PG36-BA	PG36 Lock ring, Polyamide Body/crown nut, TPE insert, Polyethylene seal

