

4

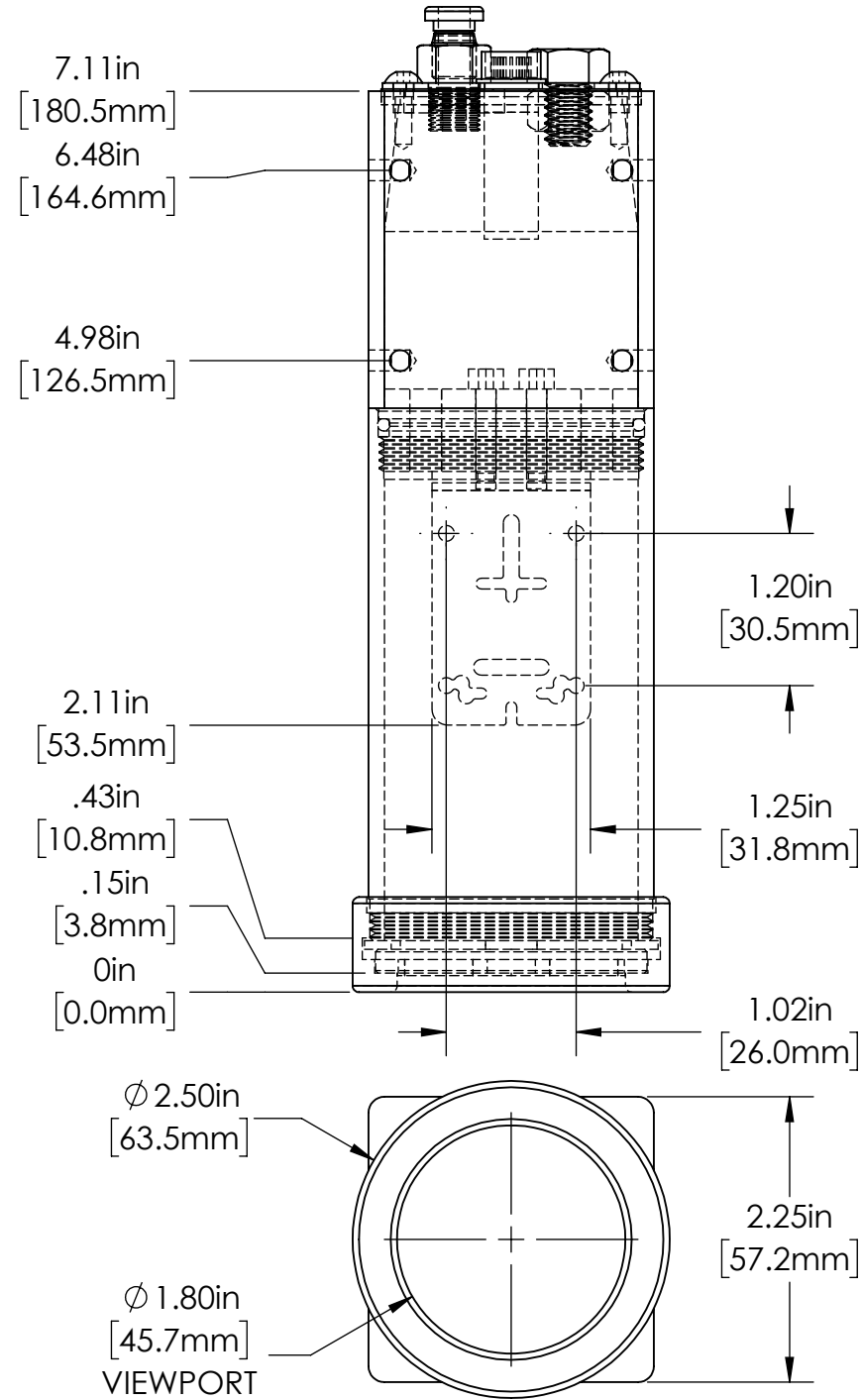
3

2

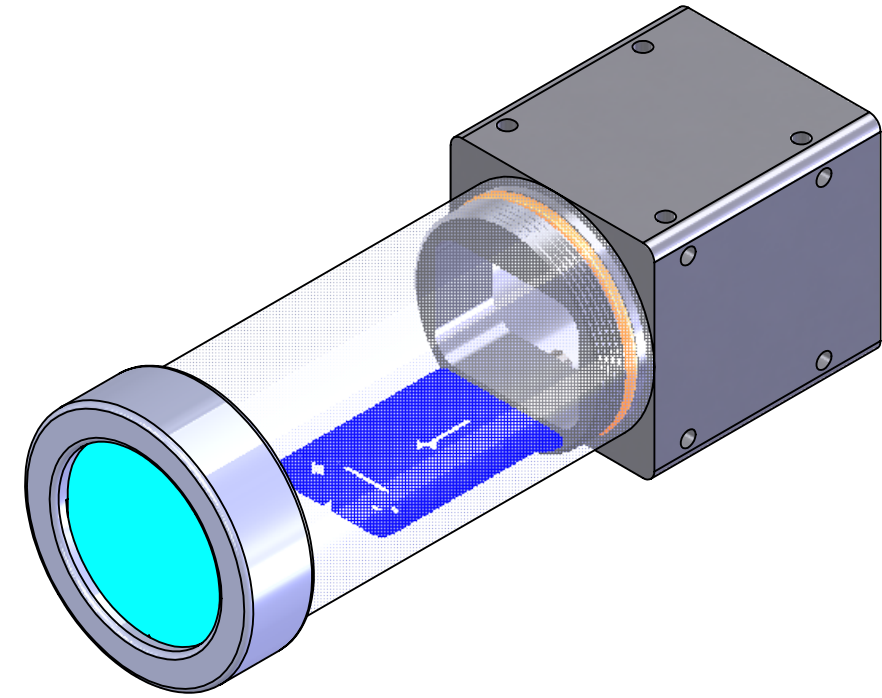
1

B

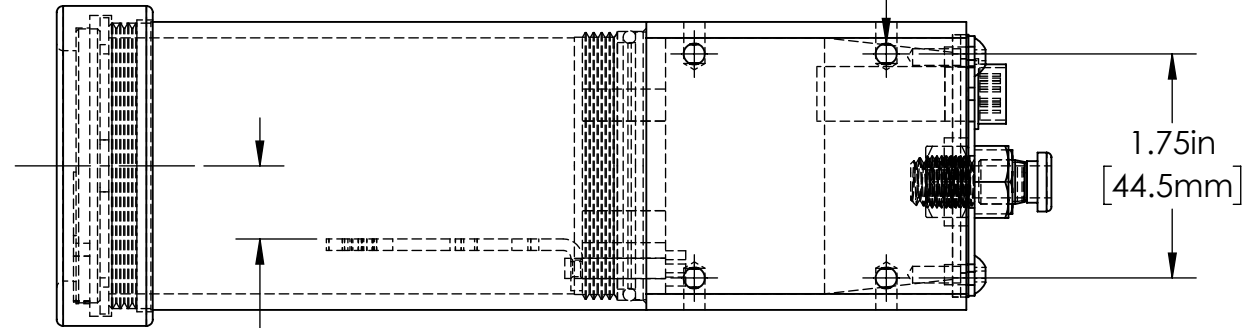
B



REVISIONS				
ZONE	REV.	DESCRIPTION	DATE	APPROVED
	A		7/30/2019	



16X  $\phi$  .17in [4.2mm]  $\nabla$  .33in [8.3mm]  
M5X0.8 - 6H  $\nabla$  .39in [10.0mm]



A

A

**PROPERTIES TABLE**

<b>ENVIRONMENT RATING</b>	IP67*	
	(*RATING MAY CHANGE IF INSTALLER MILLS CABLE GLAND OUTSIDE OF TOLERANCE)	
<b>COMPONENT</b>	<b>MATERIAL</b>	<b>FINISH</b>
BODY	6061 ALUM	CLEAR HARDCOAT
VIEWPORT	GLASS	NONE
GASKET	40D SILICONE EPDM FOAM	NONE
ARM/ADAPTOR	304 SS	NONE
HARDWARE	INTERIOR: 18-8 SS EXTERIOR: 316 SS	NONE

TOLERANCES UNLESS OTHERWISE SPECIFIED

MACHINING		SHEET METAL	
X.X	0.0250"	HOLE TO HOLE (SAME SURFACE)	
X.XX	0.0100"	X.X	0.030"
X.XXX	0.0050"	X.XX	0.010"
X.XXXX	0.0005"	X.XXX	0.005"
ANGULAR	0.5°	X.XXX	0.015"
DEBURR ALL		HOLE TO FOLDED EDGE	
		X.X	0.035"
		X.XX	0.025"
		X.XXX	0.015"
		FOLD TO FOLD	
		X.X	0.045"
		X.XX	0.035"
		X.XXX	0.020"
		ANGULAR 1.0°	

ALL WEIGHTS ARE IN POUNDS

THIS PRINT IS THE PROPERTY OF ALLISON PARK GROUP. THE INFORMATION CONTAINED HEREIN IS CONFIDENTIAL. IT IS NOT TRANSFERABLE. IT IS FURNISHED WITH THE CLEAR UNDERSTANDING THAT IT IS NOT TO BE TRACED, REPRODUCED OR USED IN ANY PROCESS OF MANUFACTURING WITHOUT WRITTEN PERMISSION FROM THE OWNER AND IS RETURNABLE UPON DEMAND. ANY INFRINGEMENT UPON THE PATENT RIGHTS SHOWN HEREIN, WHETHER IN PART OR WHOLE, WILL BE PROSECUTED.

AS PART OF OUR POLICY OF CONTINUING DEVELOPMENT, ALLISON PARK GROUP RESERVES THE RIGHT TO ALTER SPECIFICATIONS WITHOUT PRIOR NOTICE.

**apg** Allison Park Group, Inc (APG)  
4055 Alpha Drive  
Allison Park, PA 15101 USA  
Phone +1 (412) 487-8211  
apgvision.com

DESCRIPTION: **22C-AD ENCLOSURE**

MATERIAL: **SEE BOM**

FINISH: **SEE BOM**

DRAWN BY:	DATE:	SCALE:	SHT-SIZE:	APPROX. WEIGHT
TWD	3/27/2020	2:3	B	0.8708
CHECKED BY:	DATE:	PART NUMBER:	REVISION	
		<b>22C-AD</b>	<b>A</b>	

Sheet 1 of 1

4

3

2

1