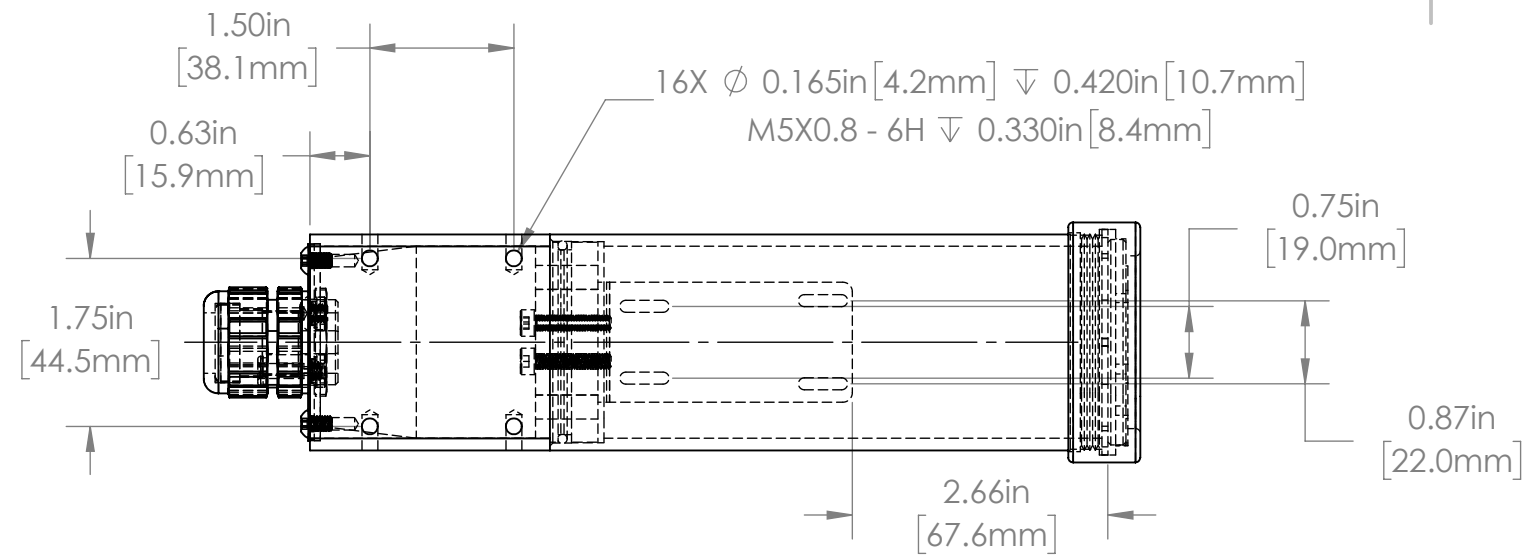


A

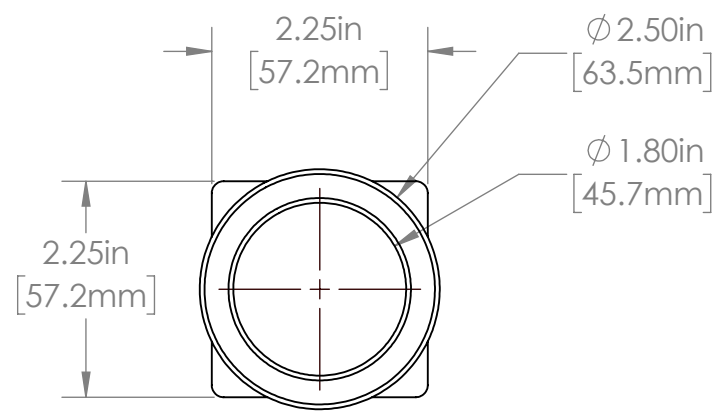
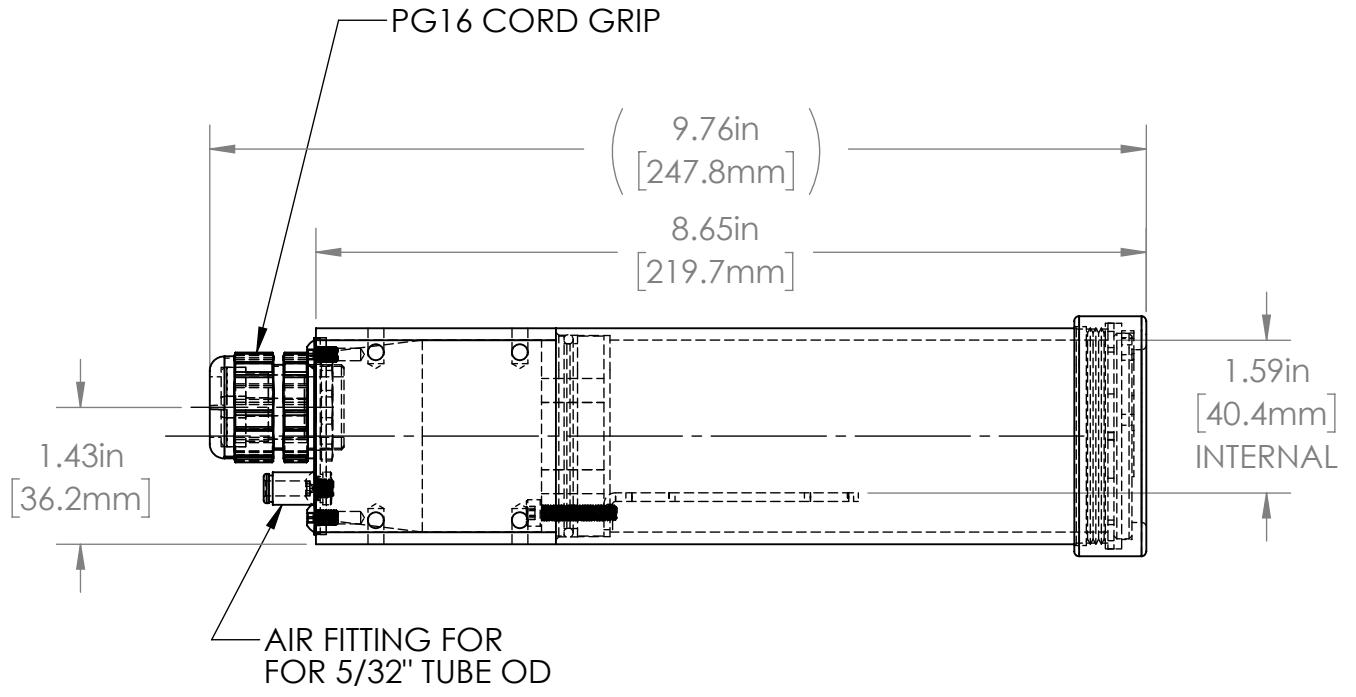
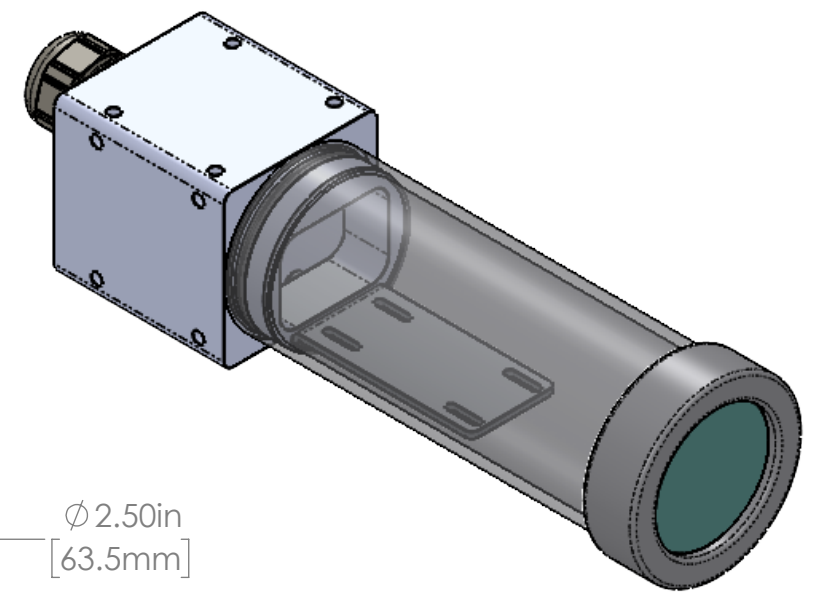
A



| REVISIONS |      |                         |            |          |
|-----------|------|-------------------------|------------|----------|
| ZONE      | REV. | DESCRIPTION             | DATE       | APPROVED |
|           | A    | RELEASED FOR PRODUCTION | 10/19/2021 | DMM      |

B

B



C

C

**22C SERIES PROPERTIES TABLE**

|                           |  |                         |
|---------------------------|--|-------------------------|
| <b>ENVIRONMENT RATING</b> | IP52*  |                         |
|                           | (*RATING MAY CHANGE IF INSTALLER MILLS CABLE GLAND OUTSIDE OF TOLERANCE) |                         |
| <b>COMPONENT</b>          | <b>MATERIAL</b>  | <b>FINISH</b>           |
| BODY/BASE/BARREL          | 6061 ALUMINUM  | CLEAR HARDCOAT ANODIZED |
| VIEWPORT                  | SODA LIME GLASS  | NONE                    |
| GASKET                    | VITON/EPDM FOAM  | NONE                    |
| ARM/ADAPTOR               | 304 SS   | NONE                    |
| HARDWARE                  | 18-8 SS  | NONE                    |

TOLERANCES UNLESS OTHERWISE SPECIFIED

| MACHINING  |         | SHEET METAL                 |        |
|------------|---------|-----------------------------|--------|
| X.X        | 0.0250" | HOLE TO HOLE (SAME SURFACE) |        |
| X.XX       | 0.0100" | X.X                         | 0.030" |
| X.XXX      | 0.0050" | X.XX                        | 0.010" |
| X.XXXX     | 0.0005" | X.XXX                       | 0.005" |
| ANGULAR    | 0.5°    | HOLE TO FOLDED EDGE         |        |
| DEBURR ALL |         | X.X                         | 0.035" |
|            |         | X.XX                        | 0.025" |
|            |         | X.XXX                       | 0.015" |
|            |         | FOLD TO FOLD                |        |
|            |         | X.X                         | 0.045" |
|            |         | X.XX                        | 0.035" |
|            |         | X.XXX                       | 0.020" |
|            |         | ANGULAR 1.0°                |        |

THIS PRINT IS THE PROPERTY OF APG VISION LLC. THE INFORMATION CONTAINED HEREIN IS CONFIDENTIAL. IT IS NOT TRANSFERABLE. IT IS FURNISHED WITH THE CLEAR UNDERSTANDING THAT IT IS NOT TO BE TRACED, REPRODUCED OR USED IN ANY PROCESS OF MANUFACTURING WITHOUT WRITTEN PERMISSION FROM THE OWNER AND IS RETURNABLE UPON DEMAND. ANY INFRINGEMENT UPON THE PATENT RIGHTS SHOWN HEREIN, WHETHER IN PART OR WHOLE, WILL BE PROSECUTED.

AS PART OF OUR POLICY OF CONTINUING DEVELOPMENT, APG VISION LLC RESERVES THE RIGHT TO ALTER SPECIFICATIONS WITHOUT PRIOR NOTICE.

APG Vision LLC  
4055 Alpha Drive  
Allison Park, PA 15101 USA  
Phone +1 (412) 487-8211  
apgvision.com

**apgvision**

DESCRIPTION:  
**22C 5.75IN BARREL, GLASS VIEWPORT, 22mm/19mm O.C. SLOTTED ARM**

MATERIAL: SEE BOM

FINISH: SEE BOM

|                    |                     |                               |                |                               |
|--------------------|---------------------|-------------------------------|----------------|-------------------------------|
| DRAWN BY:<br>DMM   | DATE:<br>10/19/2021 | SCALE:<br>1:2                 | SHT-SIZE:<br>B | APPROX. WEIGHT (LBS):<br>1.39 |
| CHECKED BY:<br>DMM | DATE:<br>10/19/2021 | PART NUMBER:<br><b>22C-AL</b> |                | REVISION:<br>A                |

Sheet1 of 1

D

D