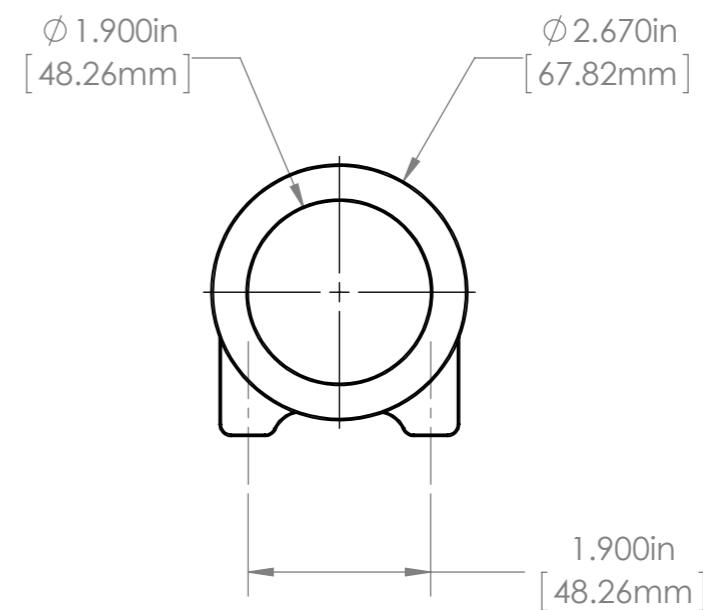
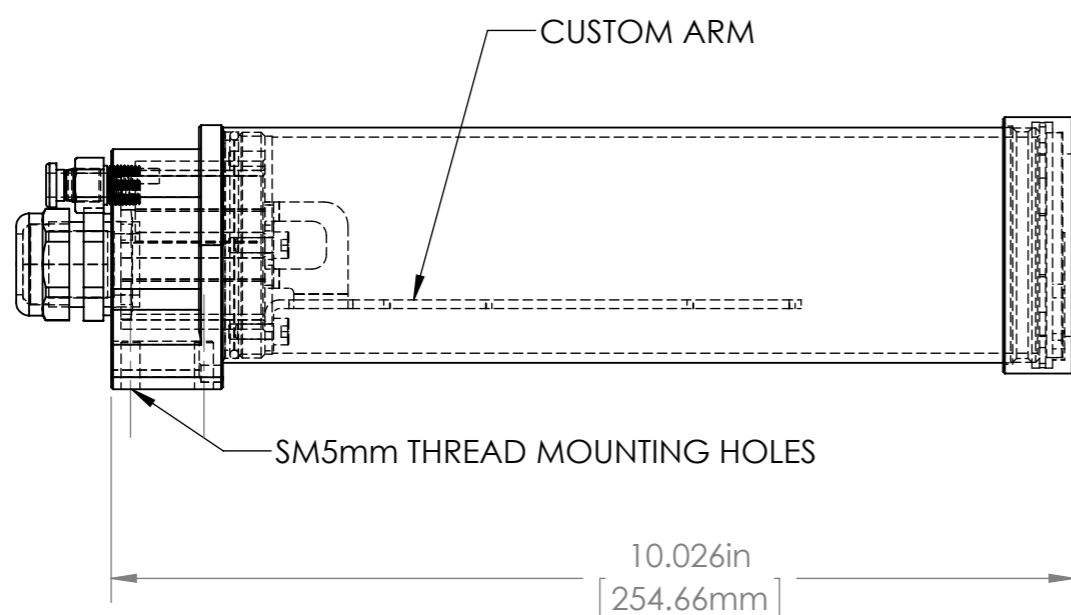
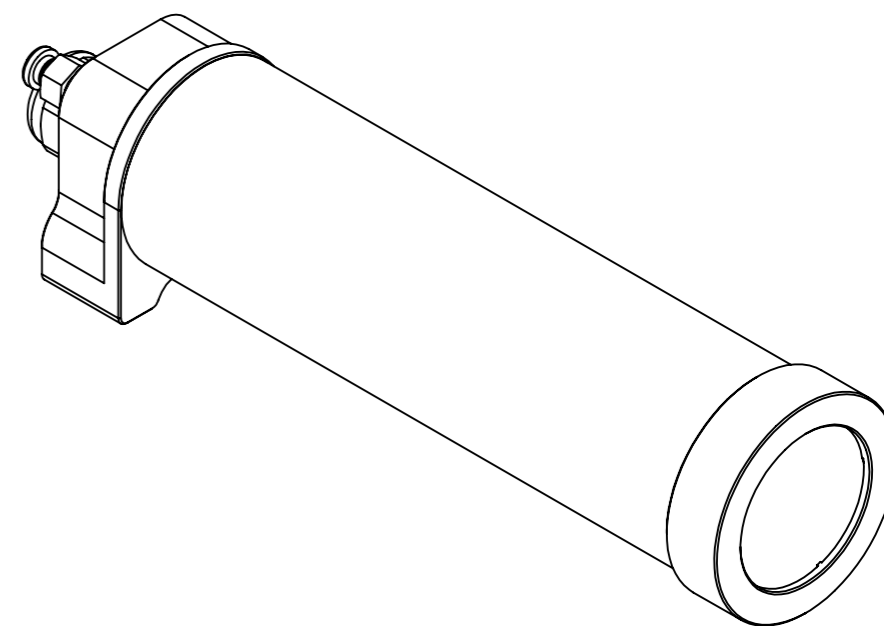
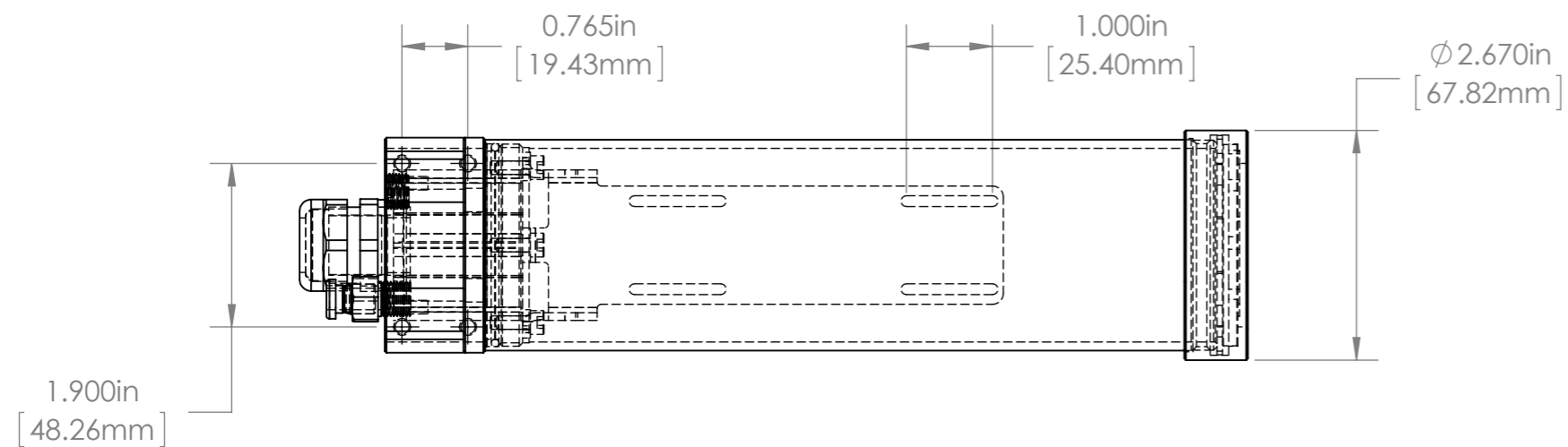


BASLER PILOT WITH 1.4" LENS



				UNLESS OTHERWISE SPECIFIED: DIMENSIONS ARE IN INCHES SURFACE FINISH: TOLERANCES: .000= +/- 0.005" .00= +/- 0.010"		FINISH: <b>CLEAR HARDCOAT ANODIZE</b> DEBUR AND BREAK SHARP EDGES		Allison Park Group, Inc. (APG) 4055 Alpha Drive Allison Park, PA 15101 USA		DO NOT SCALE DRAWING		REVISION	
				LINEAR:				Phone +1 (412) 487-8211 Fax +1 (412) 486-3157 www.apgvision.com		This document is the property of APG and is considered company confidential. The information in this document is the property of APG and may not be used, reproduced, or distributed in whole or in part without the prior written permission of APG.			
				DRAWN		NAME		DATE		TITLE:			
				SCHUBERT				3/16/2012		24C-BD (8.5in Brl, PG21)			
				CHK'D						DWG NO.			
				APPVD						24C-BD			
				MFG						A3			
				Q.A						SCALE: 1:2			
				NOTES:						SHEET 1 OF 1			
NO.		CHANGE		DATE		INIT.		WEIGHT:					