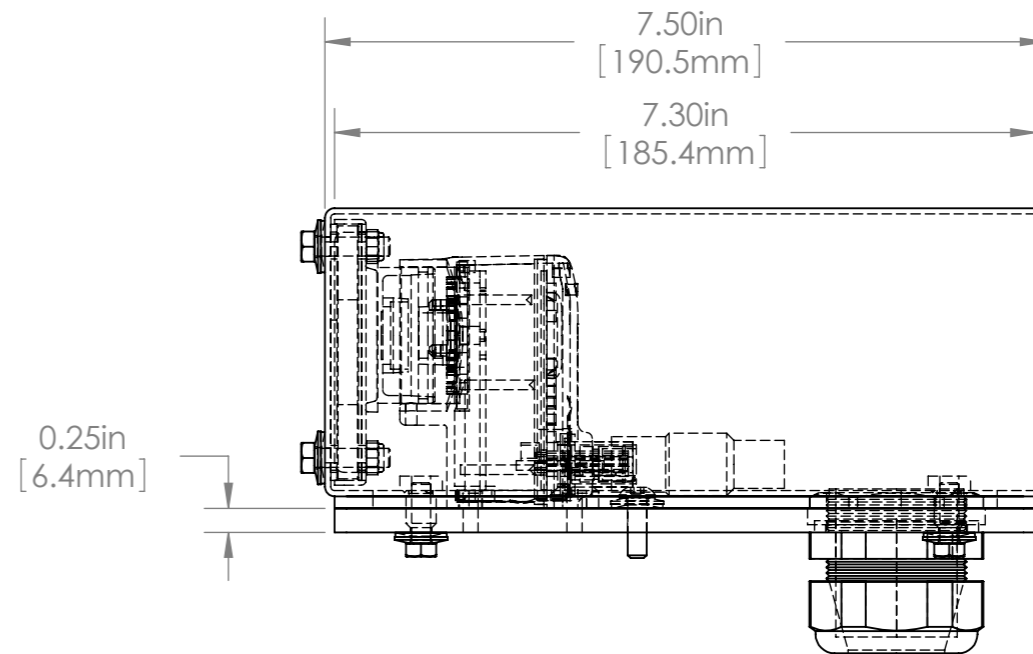
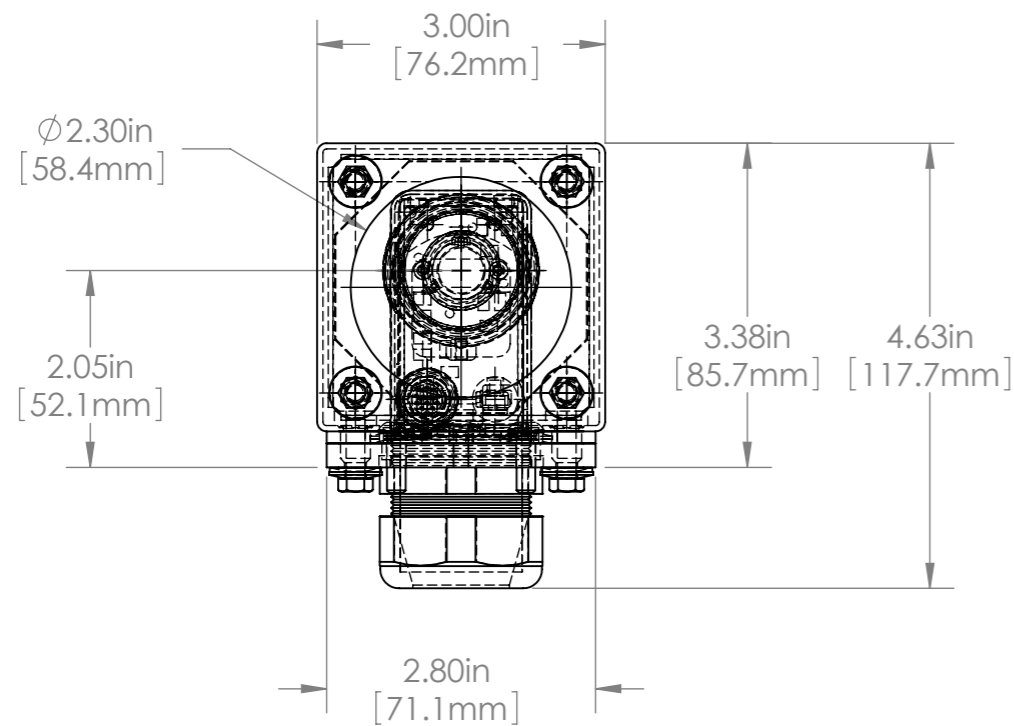
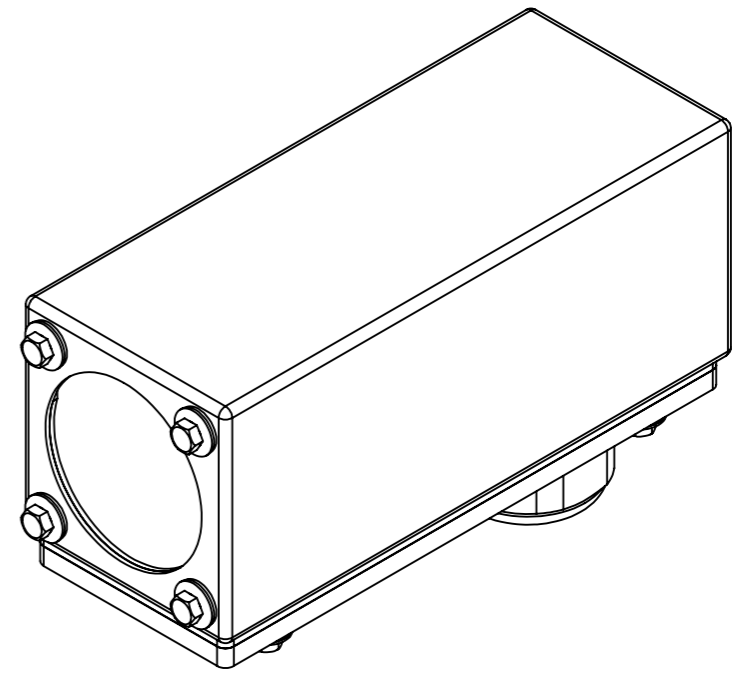
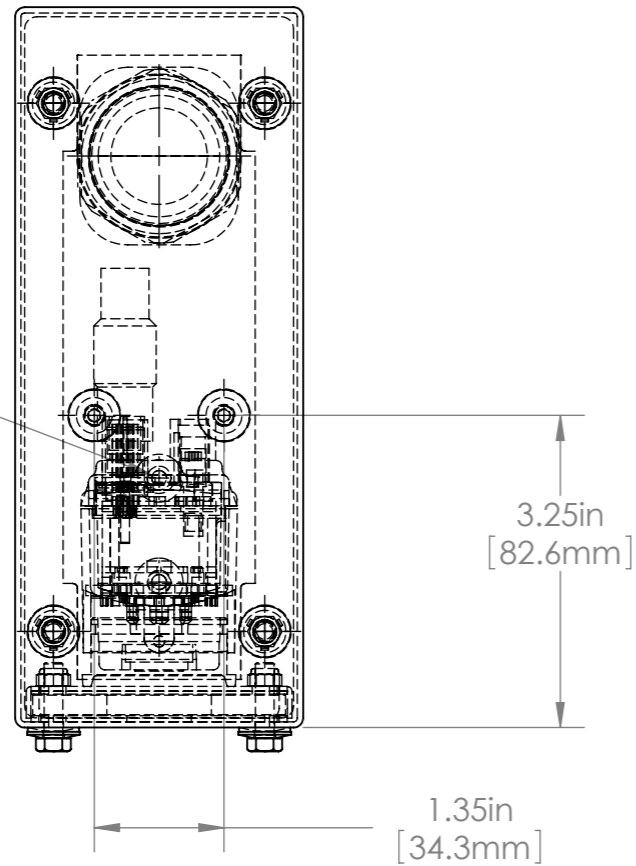


2 \varnothing 0.16in
[4mm]
SEALING WASHERS
INCLUDED
USE BUTTON
HEAD SCREWS



				UNLESS OTHERWISE SPECIFIED: DIMENSIONS ARE IN INCHES SURFACE FINISH: TOLERANCES: .000= +/- 0.005" .00= +/- 0.010"		FINISH: DEBUR AND BREAK SHARP EDGES		Allison Park Group, Inc. (APG) 4055 Alpha Drive Allison Park, PA 15101 USA		DO NOT SCALE DRAWING		REVISION	
				LINEAR:				Phone +1 (412) 487-8211 Fax +1 (412) 486-3157		This document is the property of APG and is considered company confidential. The information in this document is the property of APG and may not be used, reproduced, or distributed in whole or in part without the prior written permission of APG			
				DRAWN		SIGNATURE		www.apgvision.com		TITLE: 30D-AL ASSY DIMS (CHECKER 200)			
				CHK'D				MATERIAL: 304 STAINLESS STEEL BODY 6061 T6 HARDCOAT ANODIZED ALUMINUM BASE EPDM GASKETS		DWG NO.		A3	
				APPVD				WEIGHT:		SCALE: 1:5		SHEET 1 OF 1	
				MFG									
				Q.A									
				NOTES:									
NO.	CHANGE	DATE	INIT.										