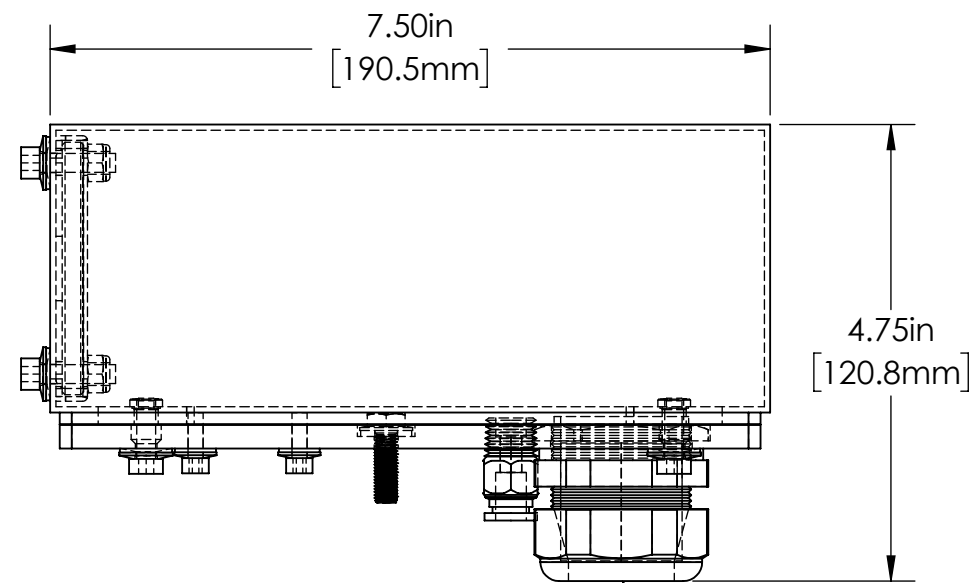
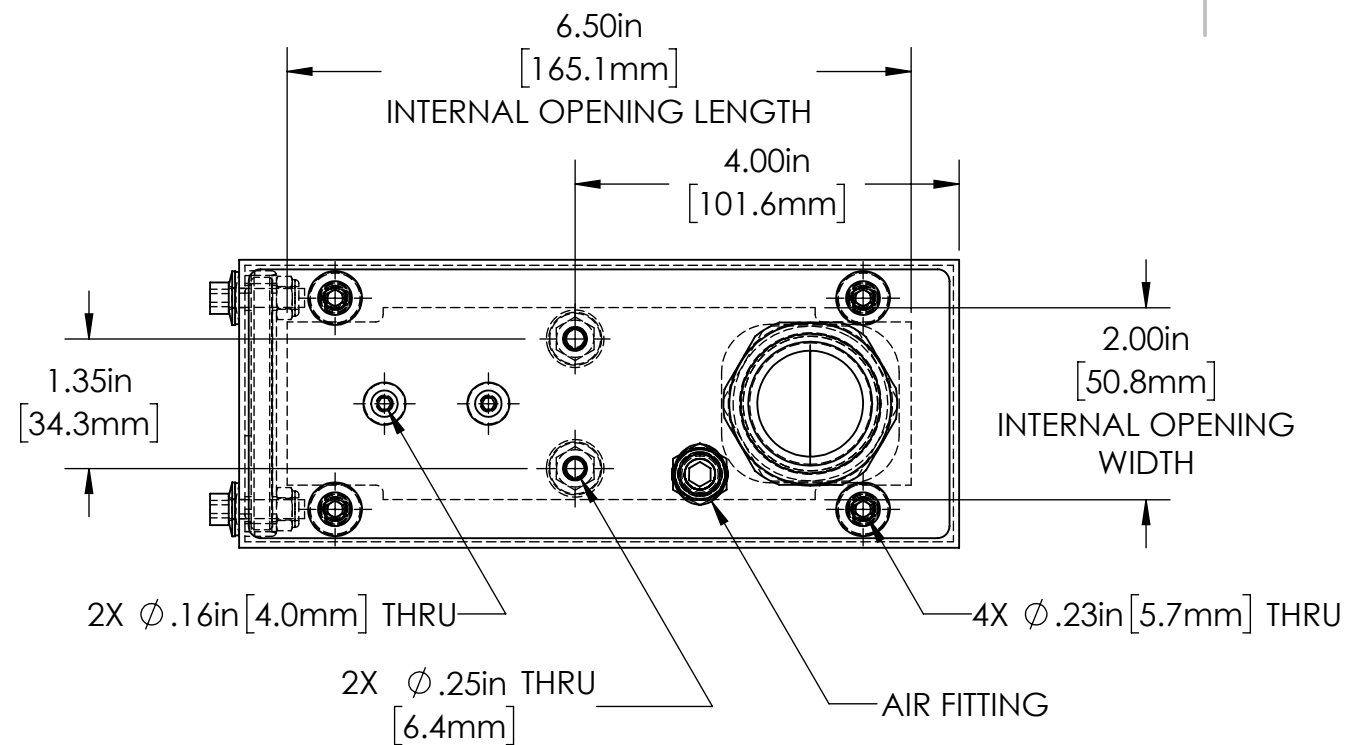


4

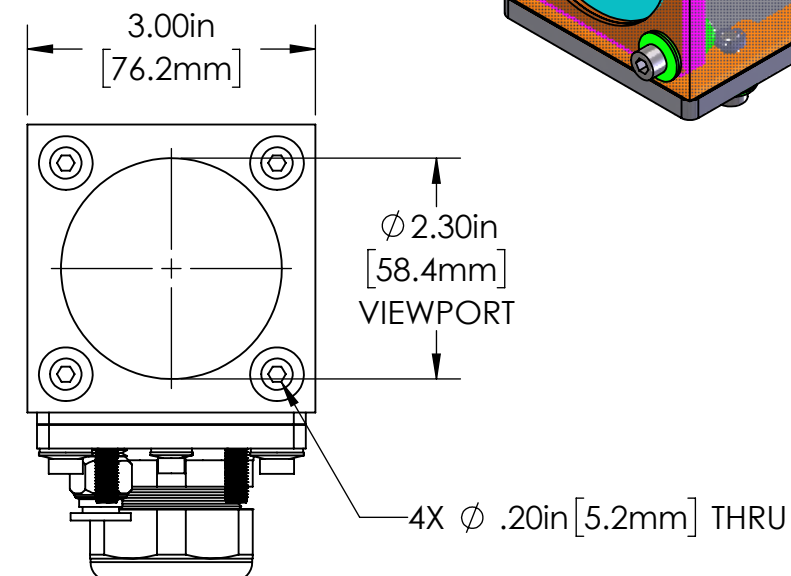
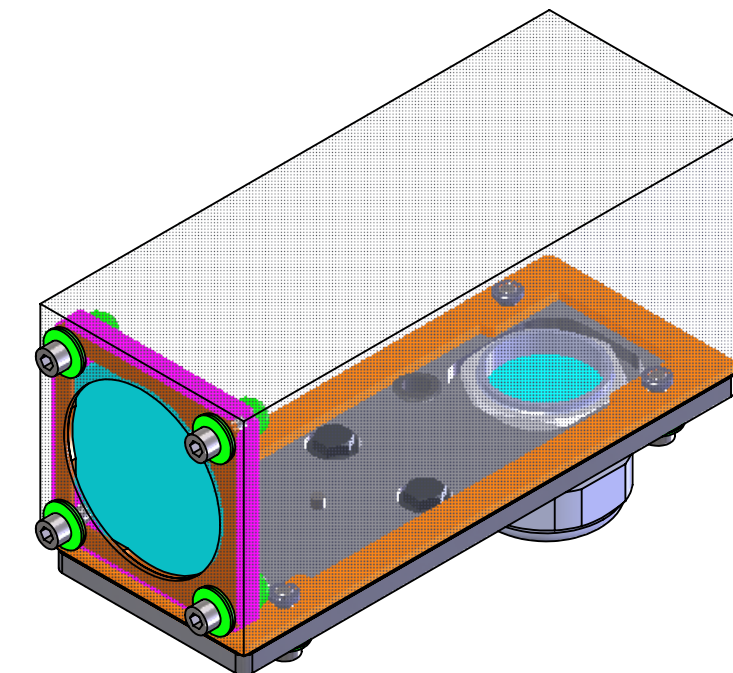
3

2

1



REVISIONS				
ZONE	REV.	DESCRIPTION	DATE	APPROVED
	A		7/30/2019	



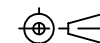
### PROPERTIES TABLE

<b>ENVIRONMENT RATING</b>	IP68*	
	(*RATING MAY CHANGE IF INSTALLER MILLS CABLE GLAND OUTSIDE OF TOLERANCE)	
<b>COMPONENT</b>	<b>MATERIAL</b>	<b>FINISH</b>
BODY	304 SS	CLEAR HARDCOAT
VIEWPORT	GLASS	NONE
GASKET	40D SILICONE	NONE
ARM/ADAPTOR		
HARDWARE	316 SS - EXTERNAL, 18-8 SS - INTERNAL	NONE

TOLERANCES UNLESS OTHERWISE SPECIFIED

## MACHINING

X.X 0.0250"  
 X.XX 0.0100"  
 X.XXX 0.0050"  
 X.XXXX 0.0005"  
 ANGLULAR 0.5°  
 DEBURR ALL



ALL WEIGHTS ARE IN POUNDS

## SHEET METAL

## HOLE TO HOLE (SAME SURFACE)

X.X 0.030"  
 X.XX 0.010"  
 X.XXX 0.015"

## HOLE TO FOLDED EDGE

X.X 0.035"  
 X.XX 0.025"  
 X.XXX 0.015"

## FOLD TO FOLD

X.X 0.045"  
 X.XX 0.035"  
 X.XXX 0.020"  
 ANGLULAR 1.0°

THIS PRINT IS THE PROPERTY OF ALLISON PARK GROUP. THE INFORMATION CONTAINED HEREIN IS CONFIDENTIAL. IT IS NOT TRANSFERABLE. IT IS FURNISHED WITH THE CLEAR UNDERSTANDING THAT IT IS NOT TO BE TRACED, REPRODUCED OR USED IN ANY PROCESS OF MANUFACTURING WITHOUT WRITTEN PERMISSION FROM THE OWNER AND IS RETURNABLE UPON DEMAND. ANY INFRINGEMENT UPON THE PATENT RIGHTS SHOWN HEREIN, WHETHER IN PART OR WHOLE, WILL BE PROSECUTED.

AS PART OF OUR POLICY OF CONTINUING DEVELOPMENT, ALLISON PARK GROUP RESERVES THE RIGHT TO ALTER SPECIFICATIONS WITHOUT PRIOR NOTICE.

Allison Park Group, Inc (APG)  
 4055 Alpha Drive  
 Allison Park, PA 15101 USA  
 Phone +1 (412) 487-8211  
 apgvision.com

DESCRIPTION:

30D-AU ENCLOSURE

MATERIAL: SEE BOM

FINISH: SEE BOM

DRAWN BY:	DATE:	SCALE:	SHT-SIZE:	APPROX. WEIGHT
TWD	3/30/2020	1:2	B	2.3804

CHECKED BY:	DATE:	PART NUMBER:	REVISION
		30D-AU	A

Sheet 1 of 1

4

3

2

1