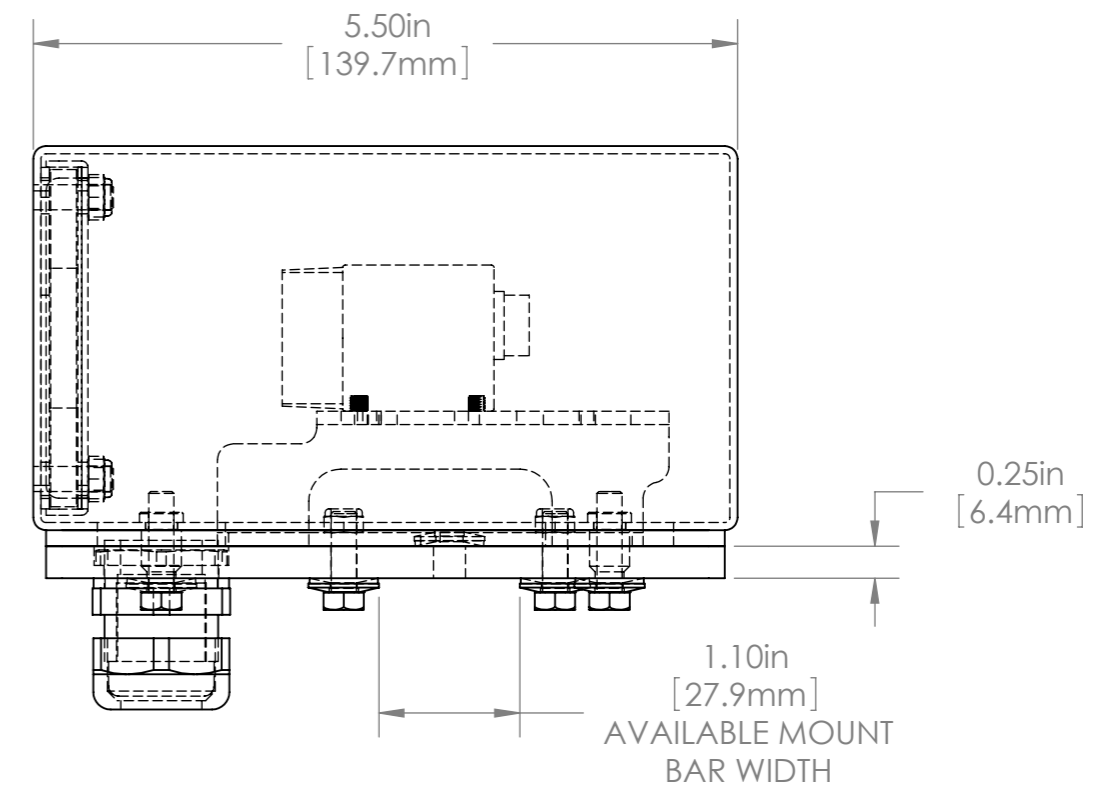
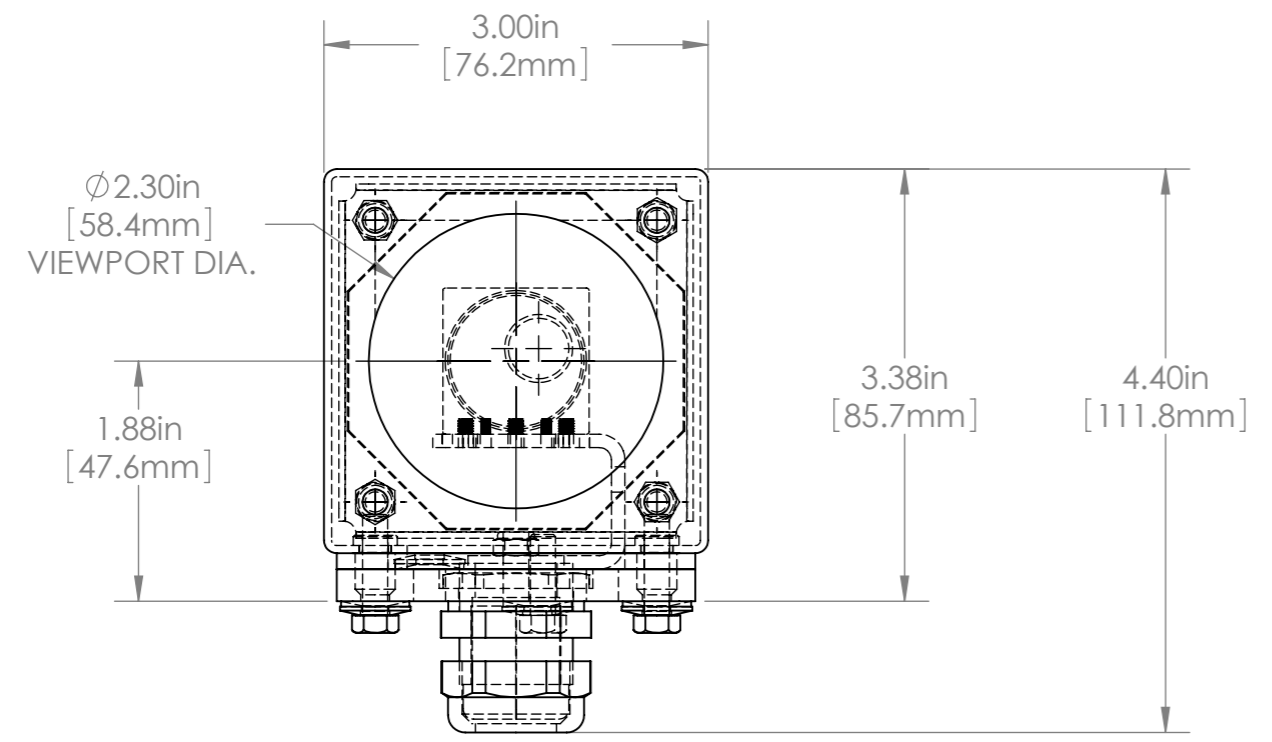
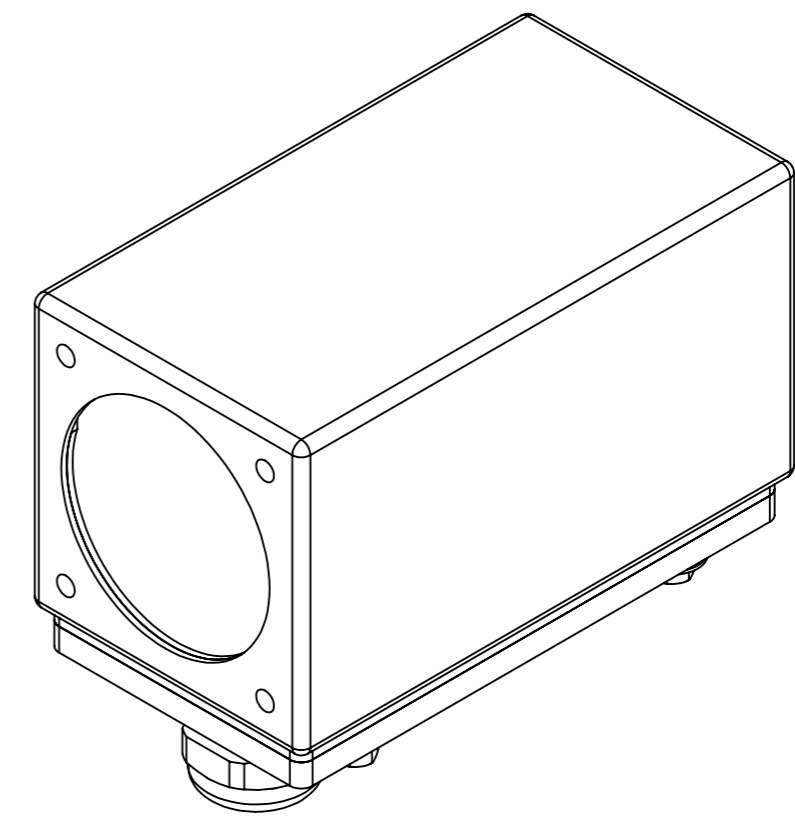
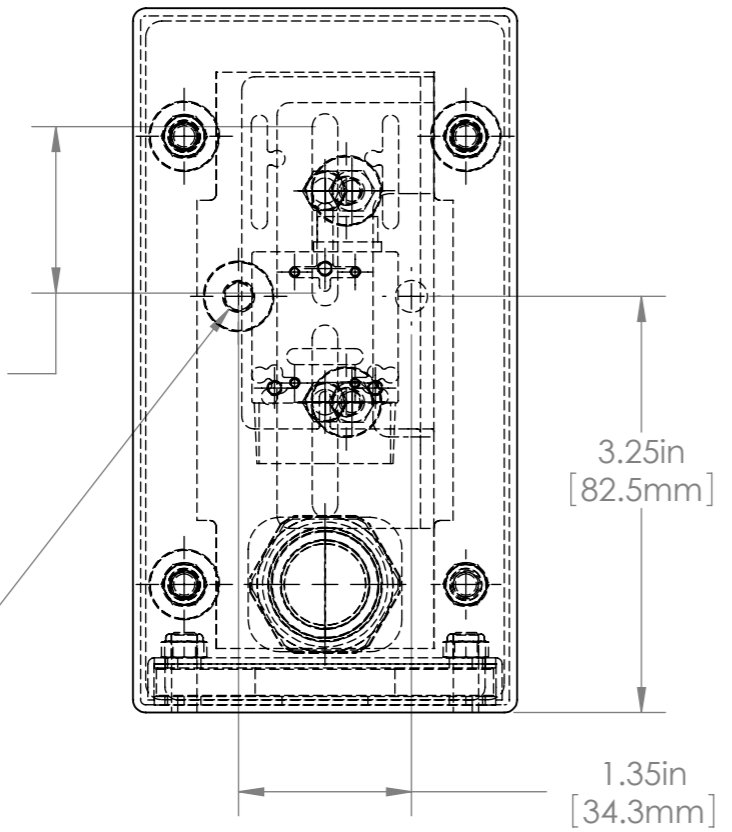


1.30in
[33mm]
TOTAL CAMERA
POSITION ADJUSTMENT

2 Ø0.25in
[6.4mm]
SEALING WASHERS
INCLUDED



				UNLESS OTHERWISE SPECIFIED: DIMENSIONS ARE IN INCHES SURFACE FINISH: TOLERANCES: .000= +/- 0.005" .00= +/- 0.010"		FINISH: DEBUR AND BREAK SHARP EDGES		Allison Park Group, Inc. (APG) 4055 Alpha Drive Allison Park, PA 15101 USA		DO NOT SCALE DRAWING		REVISION			
				LINEAR:				Phone +1 (412) 487-8211 Fax +1 (412) 486-3157		TITLE: 30S-BF ASSY DIMS					
				DRAWN		SCHUBERT		www.apgvision.com							
				CHK'D				MATERIAL: 316 Stainless Steel				DWG NO.		30S-BF	
				APP'VD				WEIGHT:				SCALE: 1:2		A3	
				MFG				NOTES:				SHEET 1 OF 1			
				Q.A											
				NO.		CHANGE		DATE		INIT.					