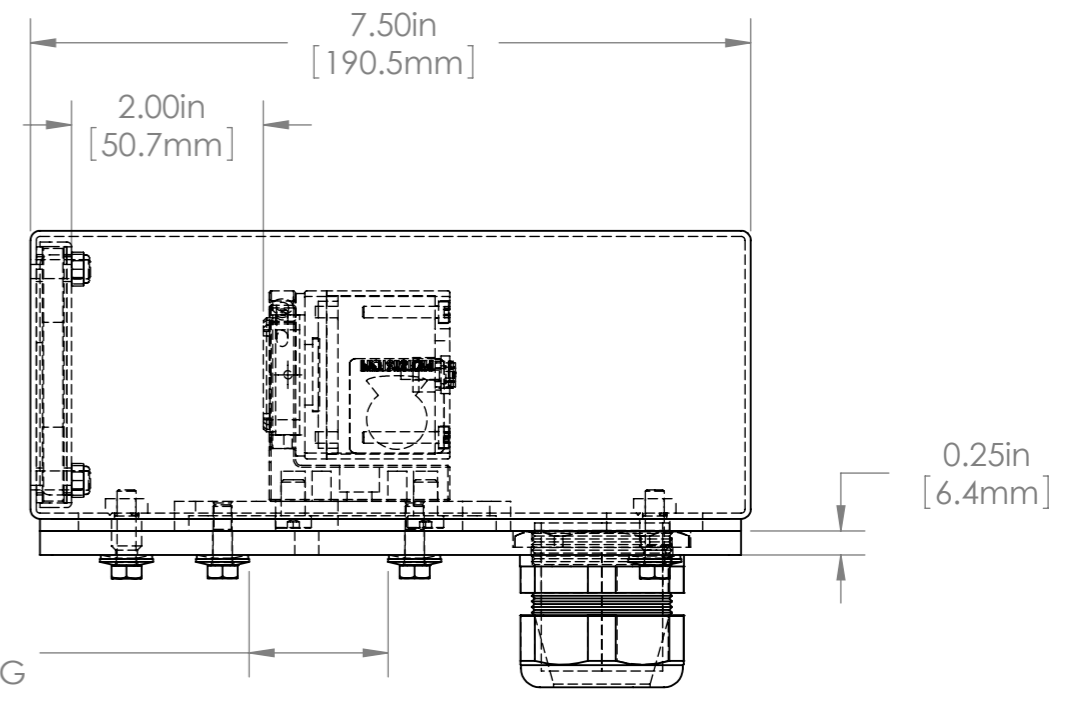
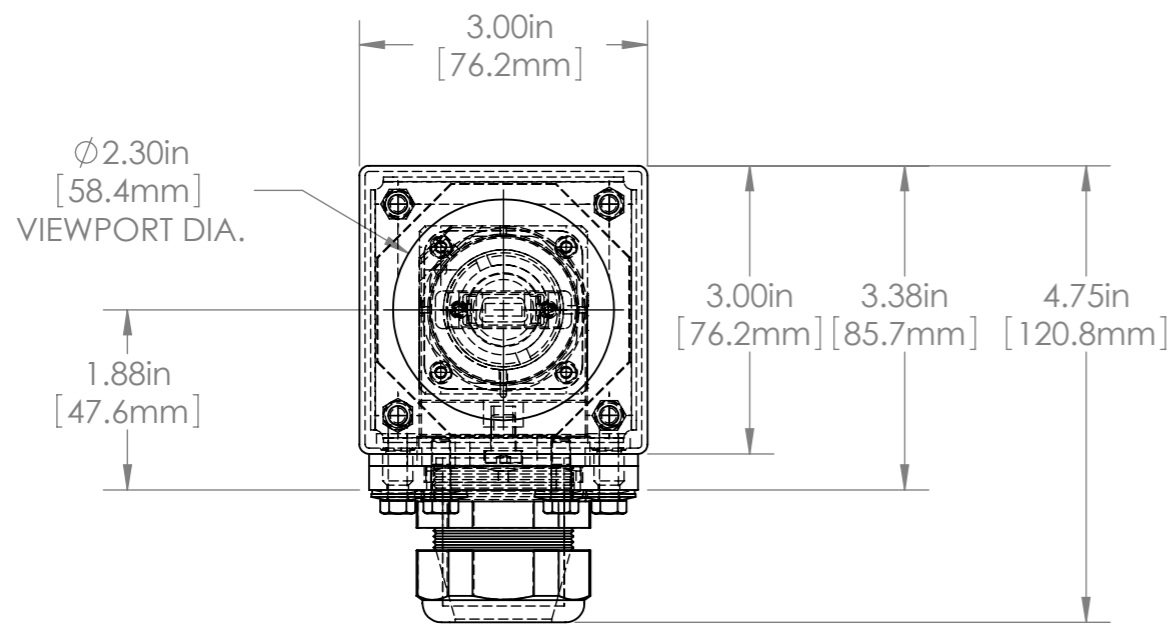
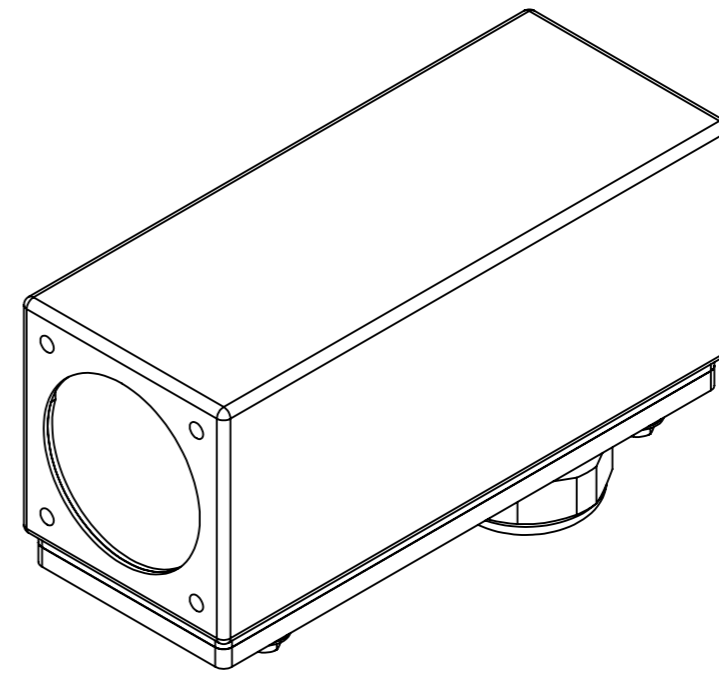
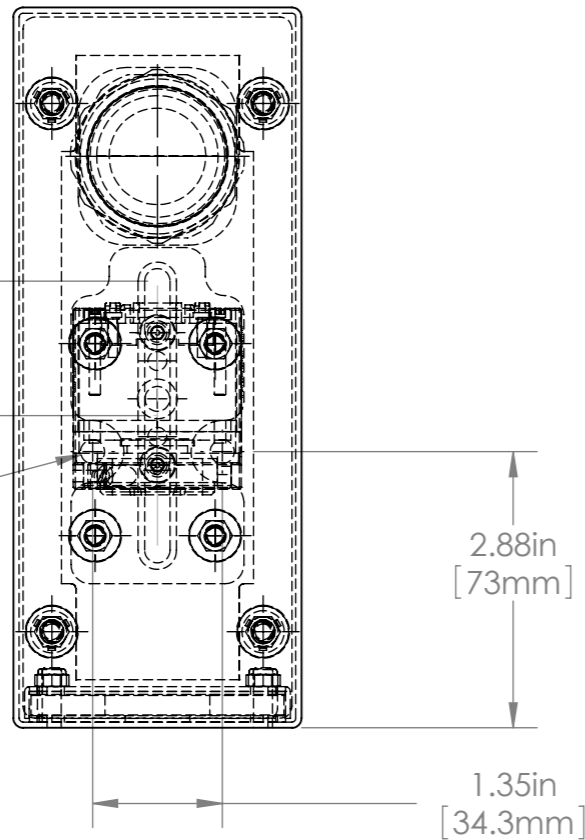


1.40in  
[35.6mm]  
TOTAL CAMERA  
POSITION ADJUSTMENT

2  $\phi$ 0.25in  
[6.4mm]  
SEALING WASHERS  
INCLUDED



				UNLESS OTHERWISE SPECIFIED: DIMENSIONS ARE IN INCHES SURFACE FINISH: TOLERANCES: .000= +/- 0.005" .00= +/- 0.010"		FINISH: DEBUR AND BREAK SHARP EDGES		Allison Park Group, Inc. (APG) 4055 Alpha Drive Allison Park, PA 15101 USA		DO NOT SCALE DRAWING		REVISION	
				LINEAR:				Phone +1 (412) 487-8211 Fax +1 (412) 486-3157		This document is the property of APG and is considered company confidential. The information in this document is the property of APG and may not be used, reproduced, or distributed in whole or in part without the prior written permission of APG			
				DRAWN		NAME		SIGNATURE		DATE		TITLE:	
				SCHUBERT						7/15/2010		30S-EA ASSY DIMS	
				CHK'D									
				APPVD									
				MFG									
				Q.A									
				NOTES:									
				POLYCARBONATE WINDOW						MATERIAL:		DWG NO.	
										316 Stainless Steel		30S-EA	
										WEIGHT:		SCALE: 1:2	
												SHEET 1 OF 1	
NO.		CHANGE		DATE		INIT.						A3	