

1 2 3 4 5 6

A

A

B

B

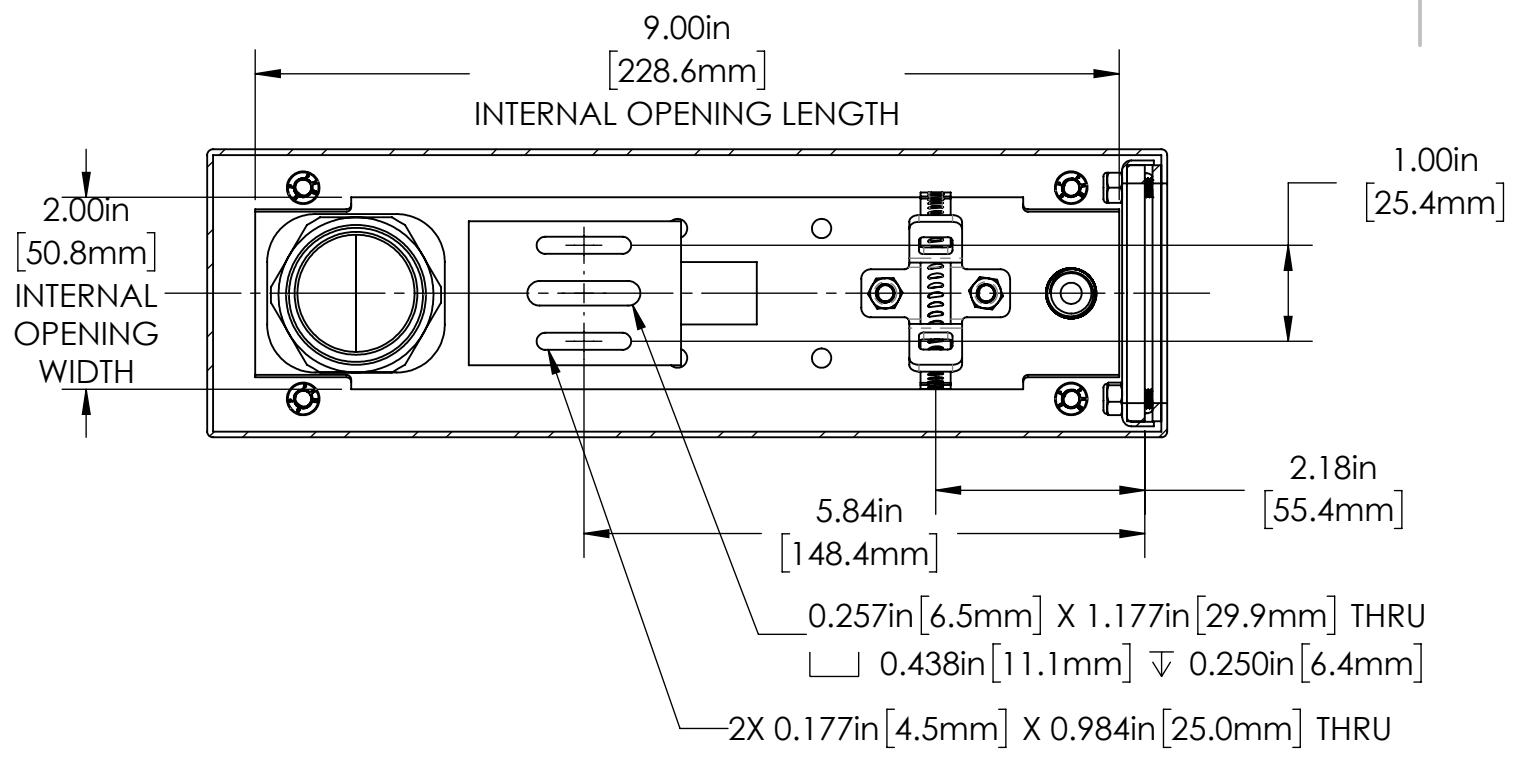
C

C

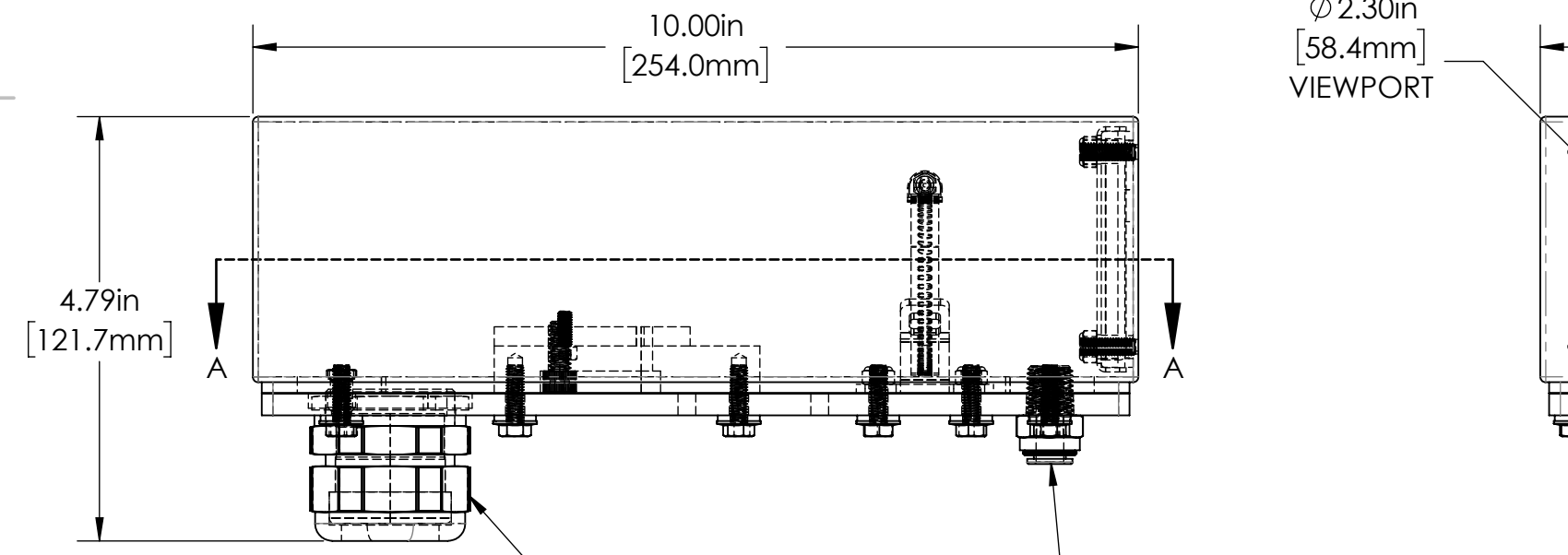
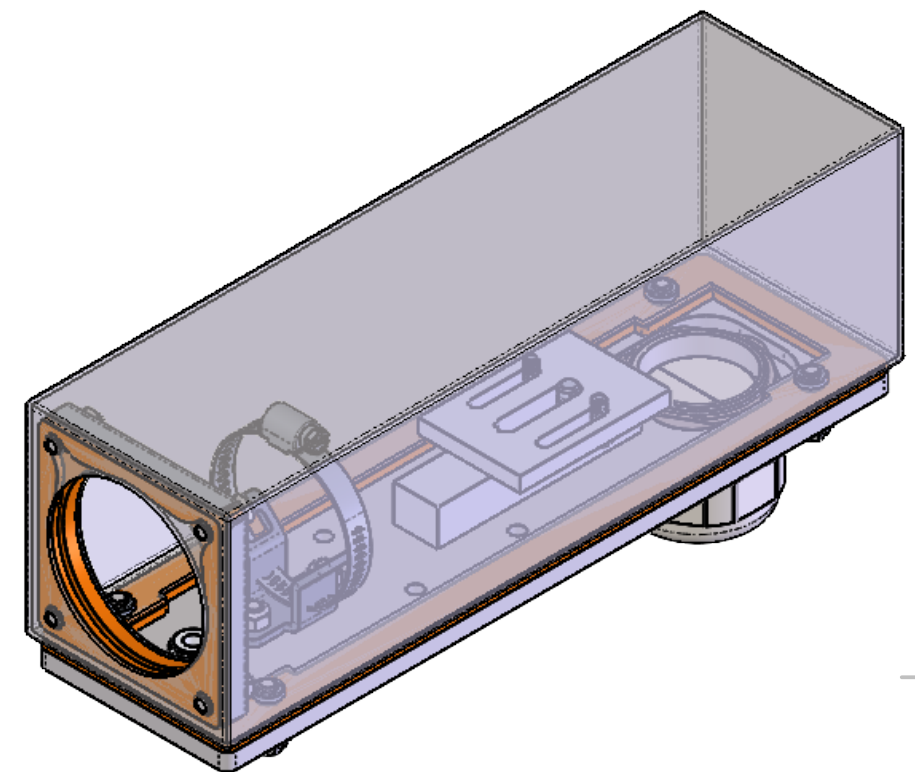
D

D

REVISIONS				
ZONE	REV.	DESCRIPTION	DATE	APPROVED
	A	RELEASED FOR PRODUCTION	9/9/2021	DMM



SECTION A-A



PG29 CORD GRIP

PUSH-TO-CONNECT AIR FITTING FOR 5/16" OD TUBING

30S SERIES PROPERTIES TABLE		
ENVIRONMENT RATING	IP52*	
	(*RATING MAY CHANGE IF INSTALLER MILLS CABLE GLAND OUTSIDE OF TOLERANCE)	
COMPONENT	MATERIAL	FINISH
BODY/BASE	316 SS	BURNISHED
GASKET	SILICONE	NONE
ARM/ADAPTOR	5052 ALUM	NONE
HARDWARE	316 SS - EXTERNAL, 18-8 SS - INTERNAL	NONE

MACHINING		SHEET METAL	
X.X	0.0250"	HOLE TO HOLE (SAME SURFACE)	X.X
X.XX	0.0100"	X.X	0.030"
X.XXX	0.0050"	X.XX	0.010"
X.XXXX	0.0005"	X.XXX	0.005"
ANGULAR	0.5°	HOLE TO FOLDED EDGE	X.X
DEBURR ALL		X.XX	0.025"
		X.XXX	0.015"
		FOLD TO FOLD	X.X
		X.X	0.045"
		X.XX	0.035"
		X.XXX	0.020"
		ANGULAR	1.0°

THIS PRINT IS THE PROPERTY OF APG VISION LLC. THE INFORMATION CONTAINED HEREIN IS CONFIDENTIAL. IT IS NOT TRANSFERABLE. IT IS FURNISHED WITH THE CLEAR UNDERSTANDING THAT IT IS NOT TO BE TRACED, REPRODUCED OR USED IN ANY PROCESS OF MANUFACTURING WITHOUT WRITTEN PERMISSION FROM THE OWNER AND IS RETURNABLE UPON DEMAND. ANY INFRINGEMENT UPON THE PATENT RIGHTS SHOWN HEREIN, WHETHER IN PART OR WHOLE, WILL BE PROSECUTED.

AS PART OF OUR POLICY OF CONTINUING DEVELOPMENT, APG VISION LLC RESERVES THE RIGHT TO ALTER SPECIFICATIONS WITHOUT PRIOR NOTICE.

APG Vision LLC 4055 Alpha Drive Allison Park, PA 15101 USA Phone +1 (412) 487-8211 apgvision.com				
DESCRIPTION: 30S 10IN ENCLOSURE FOR CISAF2000 WITH AIR CURTAIN GASKET & PG29 CORD GRIP				
MATERIAL: SEE PROPERTIES TABLE				
FINISH: SEE PROPERTIES TABLE				
DRAWN BY:	DATE:	SCALE:	SHT-SIZE:	APPROX. WEIGHT (LBS)
TWD	9/9/2021	1:2	B	4.4131
CHECKED BY:	DATE:	PART NUMBER:	REVISION	
DMM	9/9/2021	30S-HS	A	



1 2 3 4 5 6