

1 2 3 4 5 6

A

B

C

D

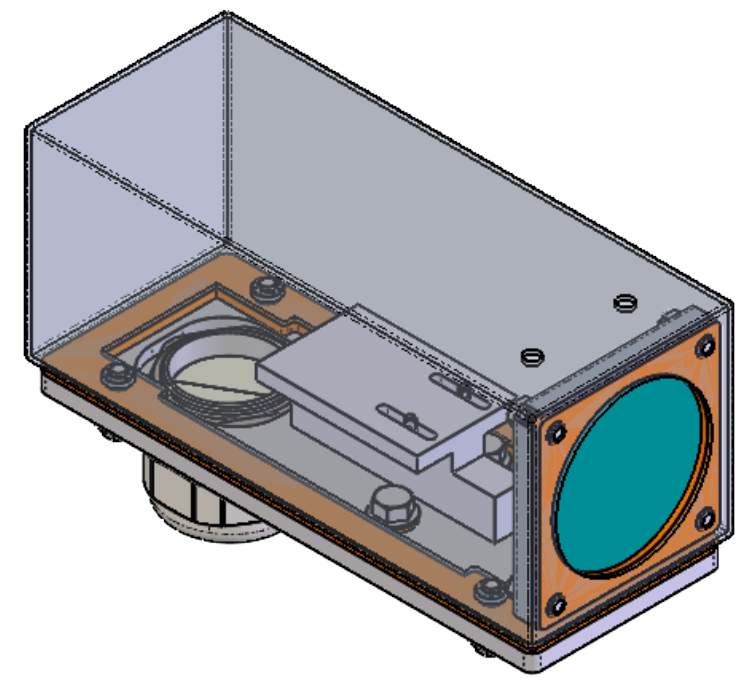
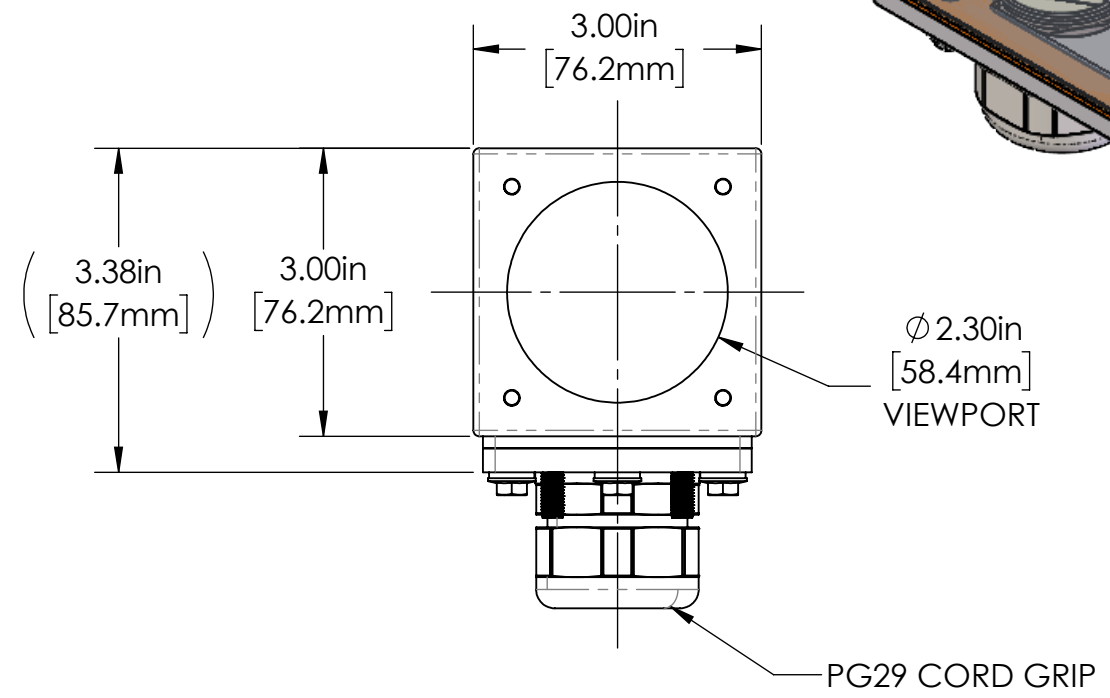
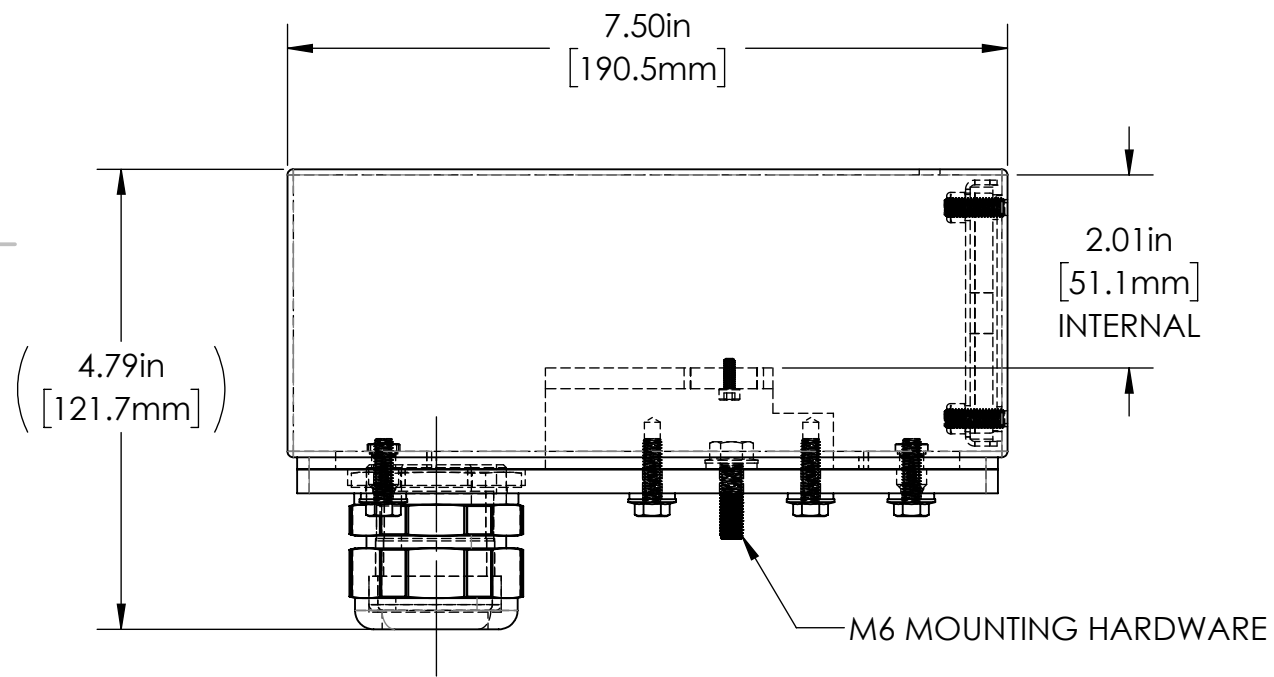
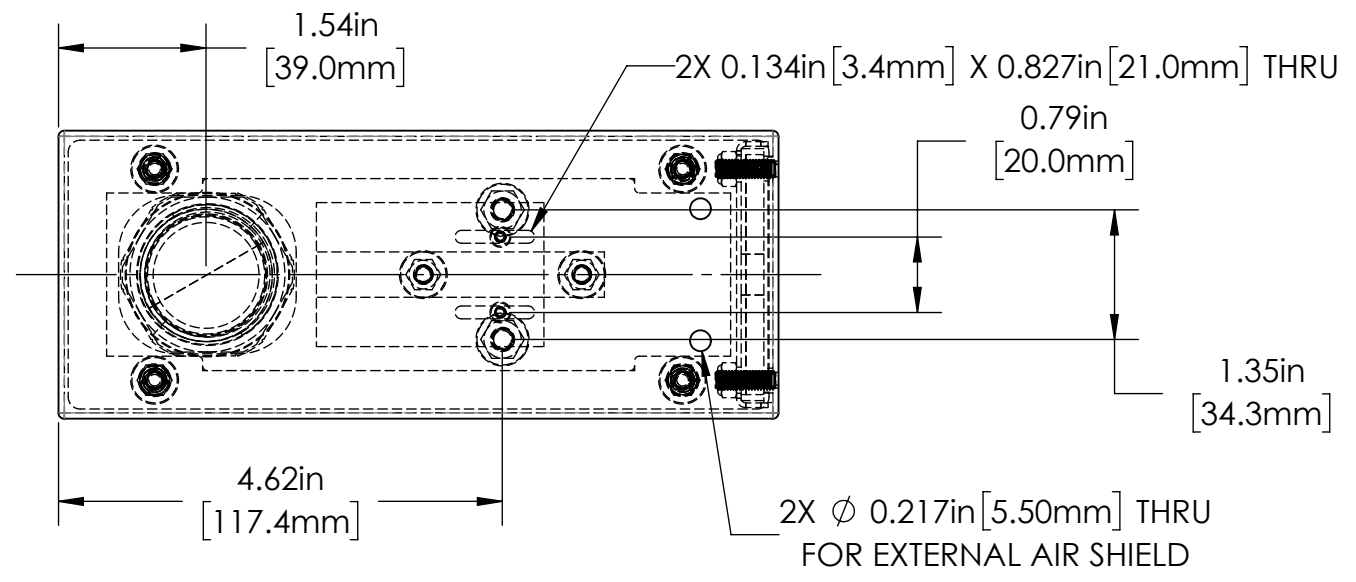
A

B

C

D

REVISIONS				
ZONE	REV.	DESCRIPTION	DATE	APPROVED
	A	RELEASED FOR PRODUCTION	3/22/2022	DMM



FOR FUJINON LENSES:
HF12XA-1F
HF16XA-1F
HF25XA-1F
HF35XA-1F

30S SERIES PROPERTIES TABLE		
ENVIRONMENT RATING	IP68*	
	(*RATING MAY CHANGE IF INSTALLER MILLS CABLE GLAND OUTSIDE OF TOLERANCE)	
COMPONENT	MATERIAL	FINISH
BODY/BASE	316 SS	BURNISHED
VIEWPORT	CLEAR ACRYLIC	ABR2
GASKET	SILICONE	NONE
ARM/ADAPTOR	6061 ALUMINUM	NONE
HARDWARE	316 SS - EXTERNAL, 18-8 SS - INTERNAL	NONE

TOLERANCES UNLESS OTHERWISE SPECIFIED	
MACHINING	SHEET METAL
X.X 0.0250"	HOLE TO HOLE (SAME SURFACE) X.X 0.030"
X.XX 0.0100"	X.XX 0.010"
X.XXX 0.0050"	X.XXX 0.005"
X.XXXX 0.0005"	X.XXX 0.015"
ANGULAR 0.5°	HOLE TO FOLDED EDGE X.X 0.035"
DEBURR ALL	X.XX 0.025"
	X.XXX 0.015"
	FOLD TO FOLD X.X 0.045"
	X.XX 0.035"
	X.XXX 0.020"
	ANGULAR 1.0°

APG Vision LLC 4055 Alpha Drive Allison Park, PA 15101 USA Phone +1 (412) 487-8211 apgvision.com				
DESCRIPTION: 30S 7.5IN BODY WITH EAC PROVISIONS, ACRYLIC VIEWPORT FOR JAI GOX 2402C-USB / 5103C-PGE WITH VARIOUS LENSES				
MATERIAL: SEE BOM				
FINISH: SEE BOM				
DRAWN BY: DMM	DATE: 3/11/2022	SCALE: 1:2	SHT-SIZE: B	APPROX. WEIGHT (LBS) 3.4891
CHECKED BY: DMM	DATE: 3/11/2022	PART NUMBER: 30S-JC		REVISION: A

1 2 3 4 5 6