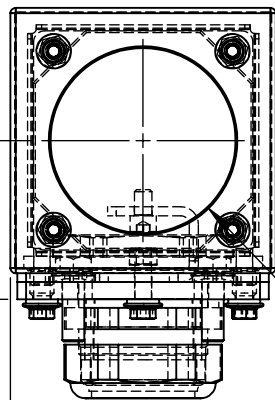


MOUNTING SCREWS

5.50in
[139.7mm]

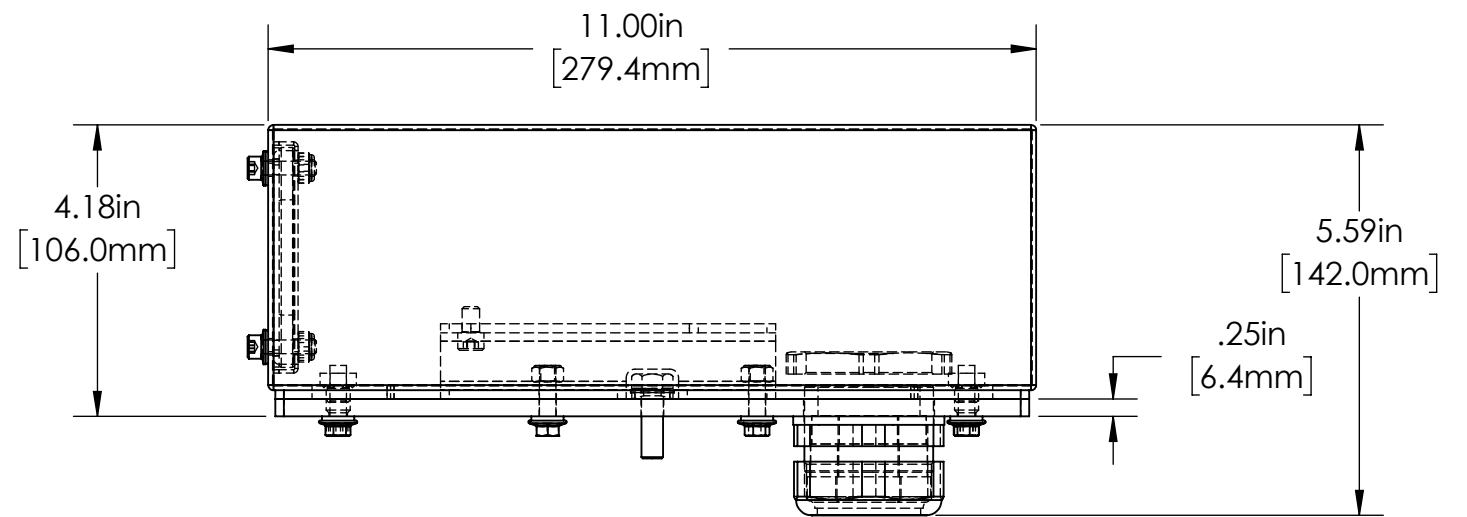
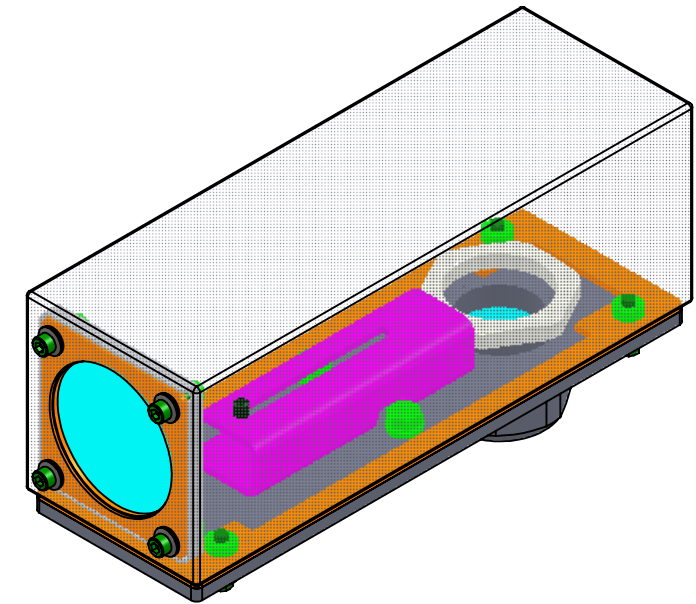
2.00in
[50.8mm]



2.28in
[57.8mm]

3.80in
[96.5mm]

Ø 2.700in [68.6mm] THRU VIEWPORT



11.00in
[279.4mm]

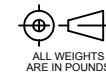
4.18in
[106.0mm]

5.59in
[142.0mm]

.25in
[6.4mm]

TOLERANCES UNLESS OTHERWISE SPECIFIED

MACHINING		SHEET METAL	
X.X	0.0250"	HOLE TO HOLE (SAME SURFACE)	
X.XX	0.0100"	X.X	0.030"
X.XXX	0.0050"	X.XX	0.010"
X.XXXX	0.0005"	X.XXX	0.005"
ANGULAR	0.5°	HOLE TO FOLDED EDGE	
DEBURR ALL		X.X	0.035"
		X.XX	0.025"
		X.XXX	0.015"
		FOLD TO FOLD	
		X.X	0.045"
		X.XX	0.035"
		X.XXX	0.020"
		ANGULAR 1.0°	



THIS PRINT IS THE PROPERTY OF ALLISON PARK GROUP. THE INFORMATION CONTAINED HEREIN IS CONFIDENTIAL. IT IS NOT TRANSFERABLE. IT IS FURNISHED WITH THE CLEAR UNDERSTANDING THAT IT IS NOT TO BE TRACED, REPRODUCED OR USED IN ANY PROCESS OF MANUFACTURING WITHOUT WRITTEN PERMISSION FROM THE OWNER AND IS RETURNABLE UPON DEMAND. ANY INFRINGEMENT UPON THE PATENT RIGHTS SHOWN HEREIN, WHETHER IN PART OR WHOLE, WILL BE PROSECUTED.

AS PART OF OUR POLICY OF CONTINUING DEVELOPMENT, ALLISON PARK GROUP RESERVES THE RIGHT TO ALTER SPECIFICATIONS WITHOUT PRIOR NOTICE.



Allison Park Group, Inc (APG)
4055 Alpha Drive
Allison Park, PA 15101 USA
Phone +1 (412) 487-8211
apgvision.com

DESCRIPTION: 38D-AH ENCLOSURE				
MATERIAL: 6061 T6 ALUMINUM BASE SEE BOM 304 STAINLESS STEEL BODY				
FINISH: SEE BOM BURNISHED				
DRAWN BY: KENNEDY	DATE: 8/30/2019	SCALE: 1:5	SHT-SIZE: B	APPROX. WEIGHT
CHECKED BY:	DATE:	PART NUMBER: 38D-DF ASSY		REVISION: A