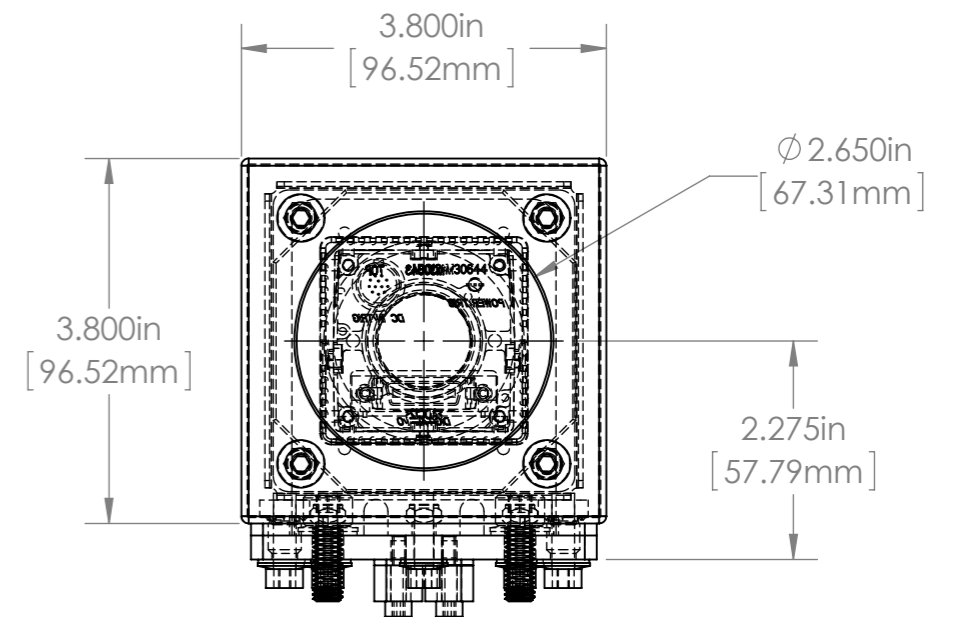
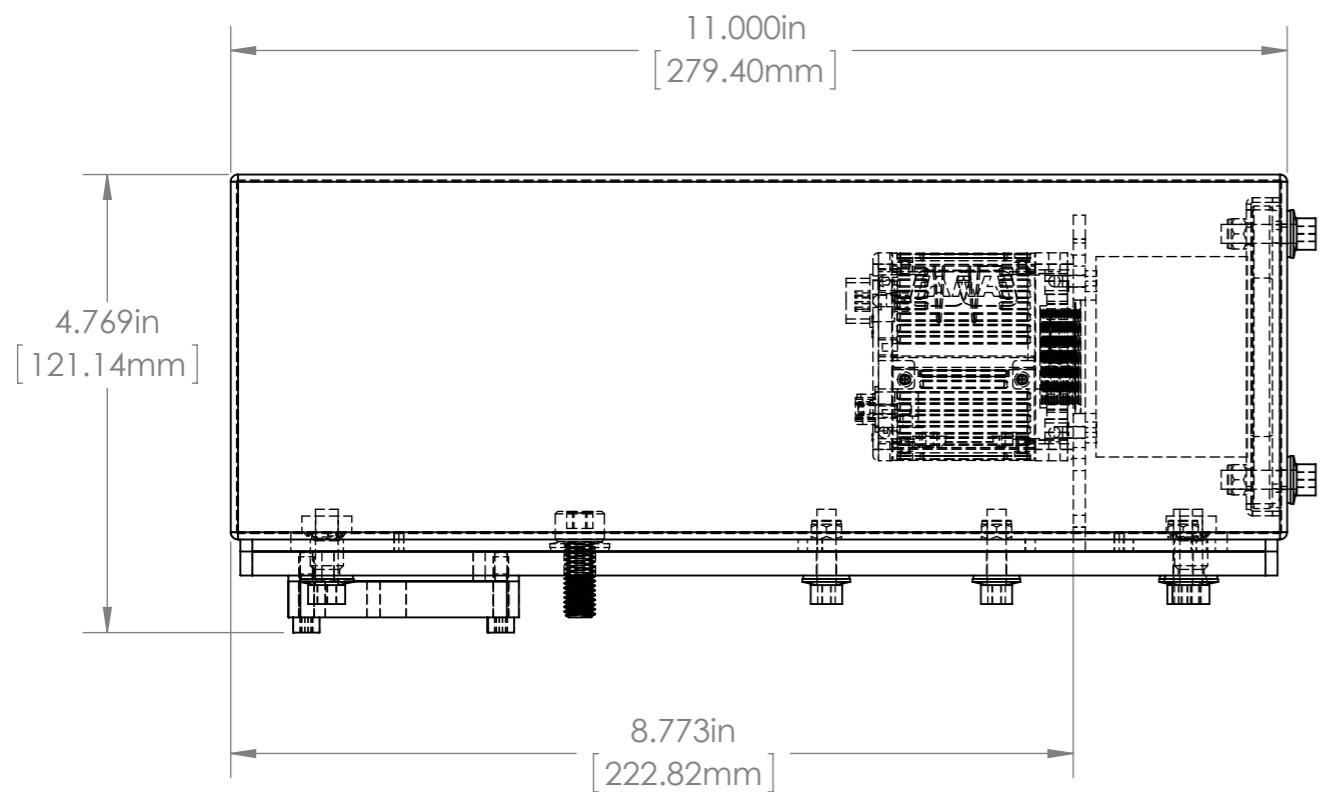
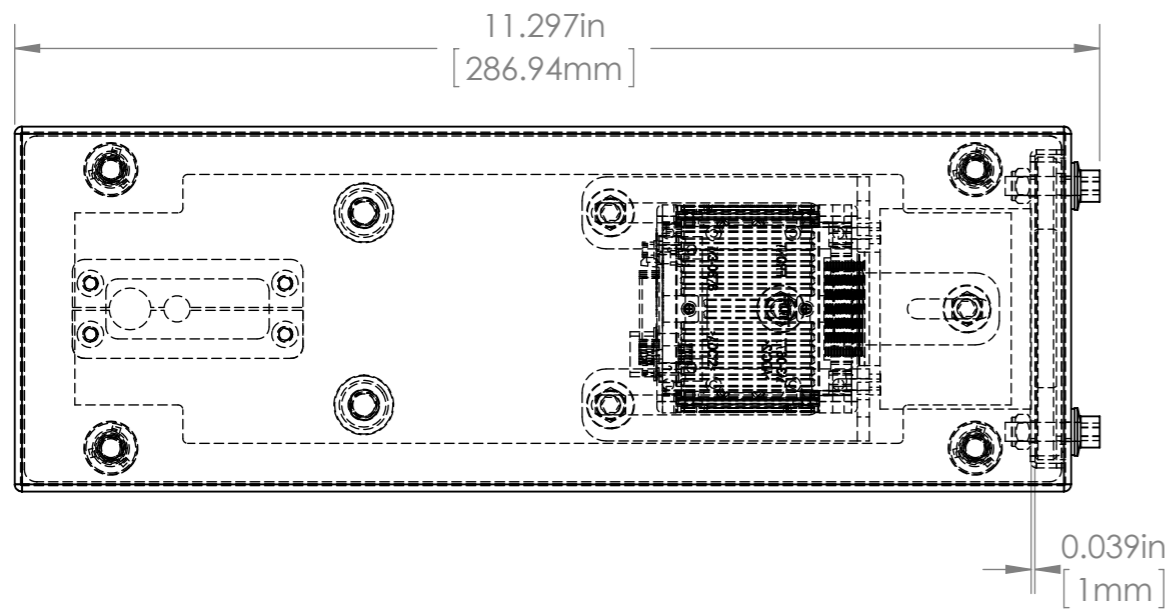


				UNLESS OTHERWISE SPECIFIED: DIMENSIONS ARE IN INCHES SURFACE FINISH: TOLERANCES: .000= +/- 0.005" .00= +/- 0.010"		FINISH: BURNISHED		Allison Park Group, Inc. (APG) 4055 Alpha Drive Allison Park, PA 15101 USA		DO NOT SCALE DRAWING		REVISION	
				LINEAR:		DEBUR AND BREAK SHARP EDGES		Phone +1 (412) 487-8211 Fax +1 (412) 486-3157		This document is the property of APG and is considered company confidential. The information in this document is the property of APG and may not be used, reproduced, or distributed in whole or in part without the prior written permission of APG			
				DRAWN SCHUBERT		SIGNATURE		DATE 3/28/2012		TITLE: 38D-BE (JAI)			
				CHK'D									
				APPVD									
				MFG									
				Q.A									
				NOTES:									
								www.apgvision.com					
								MATERIAL:		DWG NO. 38D-BE ASSY DIMS			
								WEIGHT:		SCALE: 1:2			
										SHEET 1 OF 2			
										A3			
				NO. CHANGE		DATE		INIT.					



				UNLESS OTHERWISE SPECIFIED: DIMENSIONS ARE IN INCHES SURFACE FINISH: TOLERANCES: .000= +/- 0.005" .00= +/- 0.010"		FINISH: BURNISHED		Allison Park Group, Inc. (APG) 4055 Alpha Drive Allison Park, PA 15101 USA		DO NOT SCALE DRAWING		REVISION	
				LINEAR:		DEBUR AND BREAK SHARP EDGES		Phone +1 (412) 487-8211 Fax +1 (412) 486-3157		This document is the property of APG and is considered company confidential. The information in this document is the property of APG and may not be used, reproduced, or distributed in whole or in part without the prior written permission of APG			
				DRAWN		SIGNATURE		www.apgvision.com		TITLE: 38D-BE (JAI)			
				CHK'D		DATE		MATERIAL:		DWG NO. 38D-BE ASSY DIMS			
				APP'VD				WEIGHT:		SCALE: 1:2			
				MFG				NOTES:		SHEET 2 OF 2			
				Q.A				SHORT LENS		A3			
				NO.		CHANGE		DATE		INIT.			