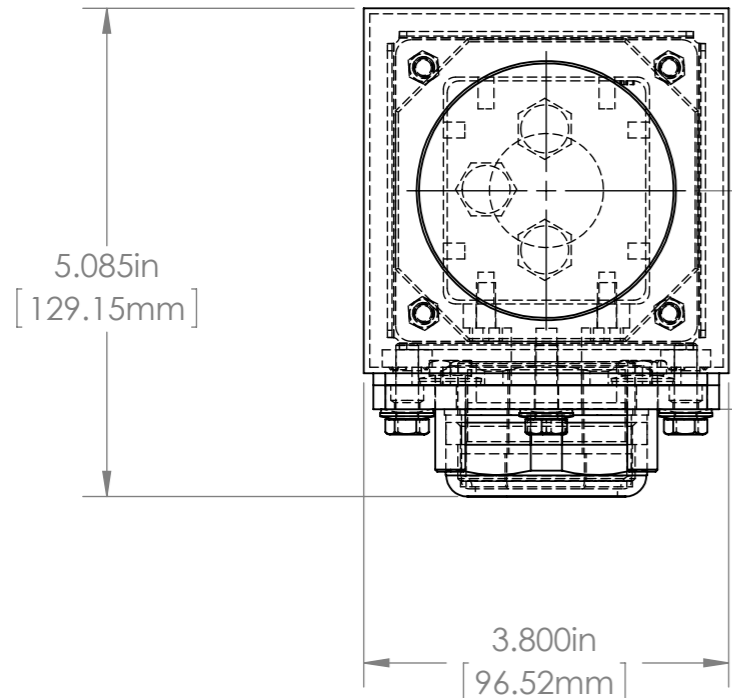
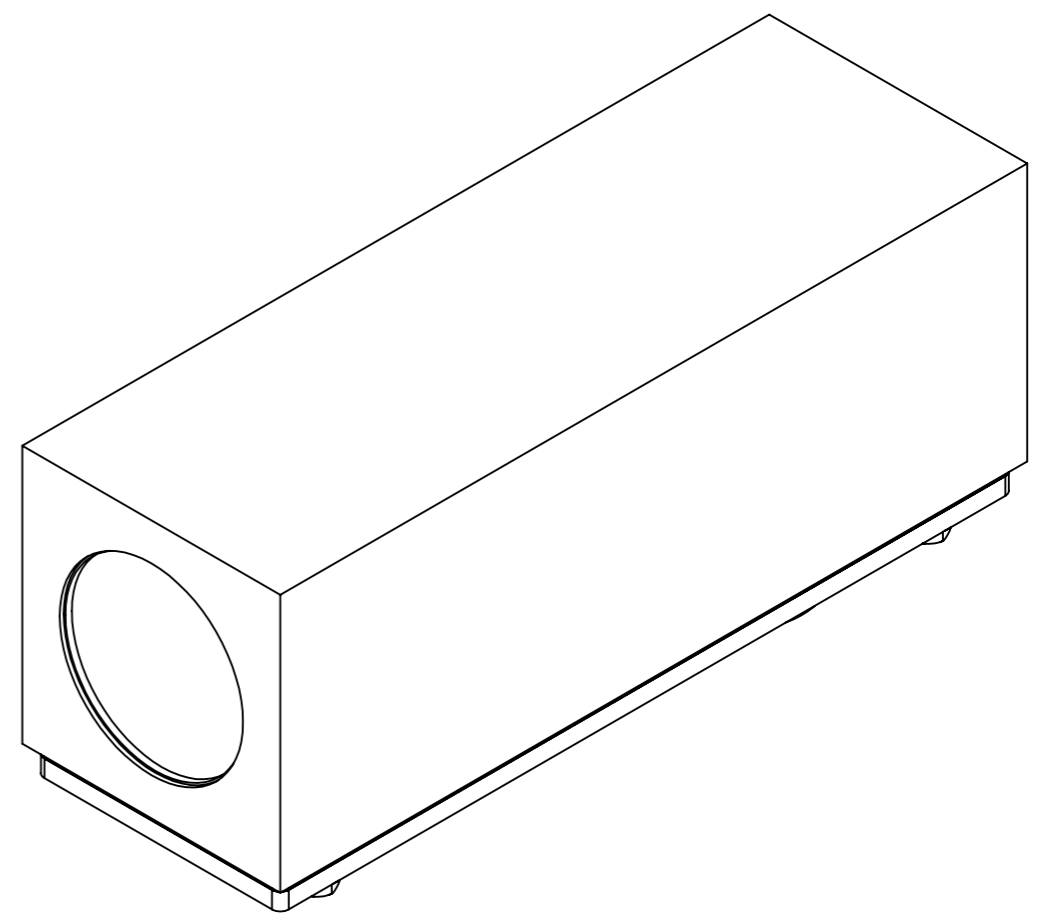
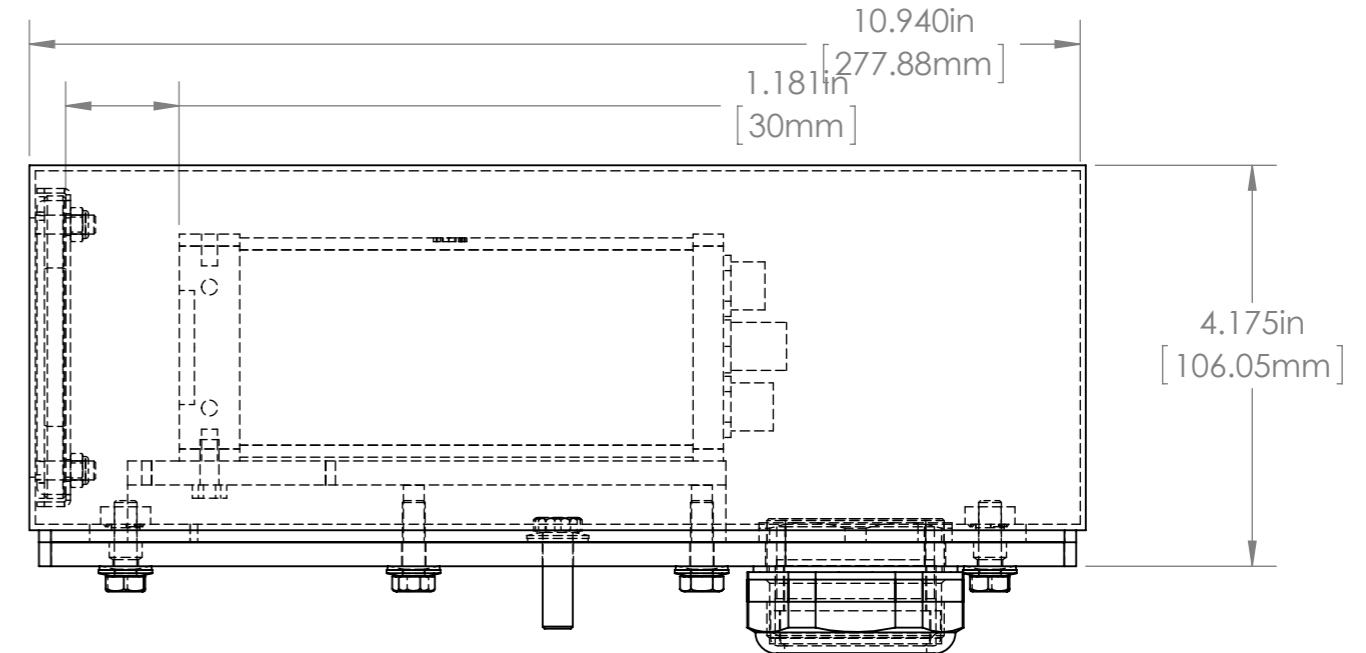


2X ϕ .323in [8.20mm] THRU MOUNTING HOLES

2.000in [50.80mm]



2.275in [57.79mm]



| | | | | | | | | |
|---|--------|------|-------|-----------------------------|-----------|---|---|----------|
| UNLESS OTHERWISE SPECIFIED: DIMENSIONS ARE IN INCHES SURFACE FINISH: TOLERANCES: .000= +/- 0.005" .00= +/- 0.010" | | | | FINISH: BURNISHED | | Allison Park Group, Inc. (APG) 4055 Alpha Drive Allison Park, PA 15101 USA Phone +1 (412) 487-8211 Fax +1 (412) 486-3157 www.apgvision.com | DO NOT SCALE DRAWING | REVISION |
| | | | | DEBUR AND BREAK SHARP EDGES | | | This document is the property of APG and is considered company confidential. The information in this document is the property of APG and may not be used, reproduced, or distributed in whole or in part without the prior written permission of APG. | |
| | | | | NAME | DATE | TITLE: 38S-BM (SICK IVC-2D) | | |
| | | | | DRAWN SCHUBERT | 3/29/2012 | DWG NO. 38S-BM ASSY | | |
| | | | | CHK'D | | SCALE: 1:5 | | |
| | | | | APPVD | | SHEET 1 OF 1 | | |
| | | | | MFG | | A3 | | |
| | | | | Q.A | | MATERIAL: BODY 316 STAINLESS STEEL BASE 316 STAINLESS STEEL GASKET 40D SILICONE SS PSA | | |
| | | | | NOTES: | | WEIGHT: | | |
| NO. | CHANGE | DATE | INIT. | | | | | |