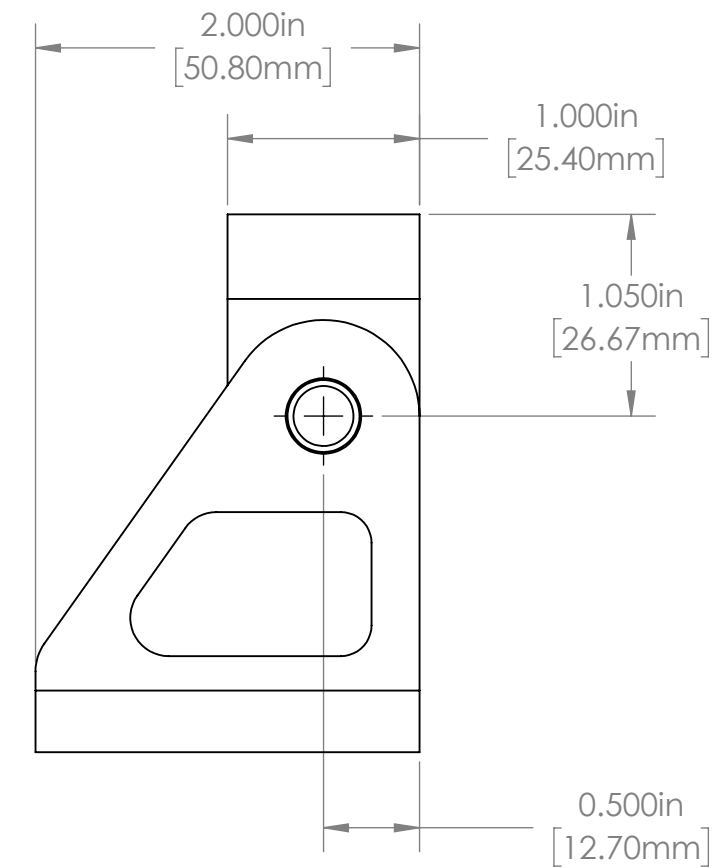
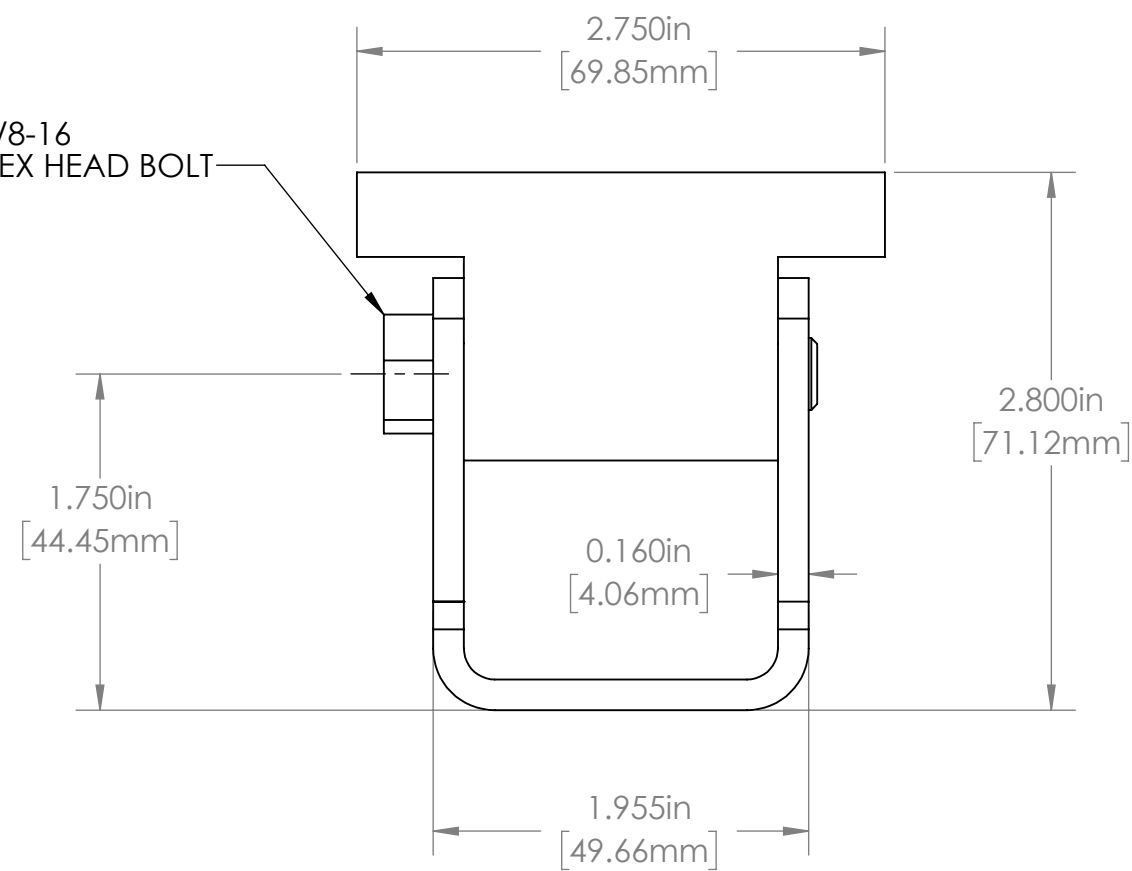


3/8-16  
HEX HEAD BOLT



UNLESS OTHERWISE SPECIFIED: DIMENSIONS ARE IN INCHES SURFACE FINISH: TOLERANCES: .000= +/- 0.005" .00= +/- 0.010"				FINISH: <b>BURNISHED</b>		Allison Park Group, Inc. (APG) 4055 Alpha Drive Allison Park, PA 15101 USA		DO NOT SCALE DRAWING		REVISION	
LINEAR:				DEBUR AND BREAK SHARP EDGES		Phone +1 (412) 487-8211 Fax +1 (412) 486-3157		This document is the property of APG and is considered company confidential. The information in this document is the property of APG and may not be used, reproduced, or distributed in whole or in part without the prior written permission of APG			
		NAME		SIGNATURE		DATE		TITLE:			
		DRAWN SCHUBERT				5/17/2016		<b>38S-PT1 (ASSY)</b>			
		CHK'D									
		APPVD									
		MFG									
		Q.A						MATERIAL:		DWG NO.	
		NOTES:						316 STAINLESS STEEL		<b>38S-PT1 ASSY</b>	
		NO. CHANGE		DATE		INIT.		WEIGHT:		SCALE: 1:1	
										SHEET 1 OF 1	