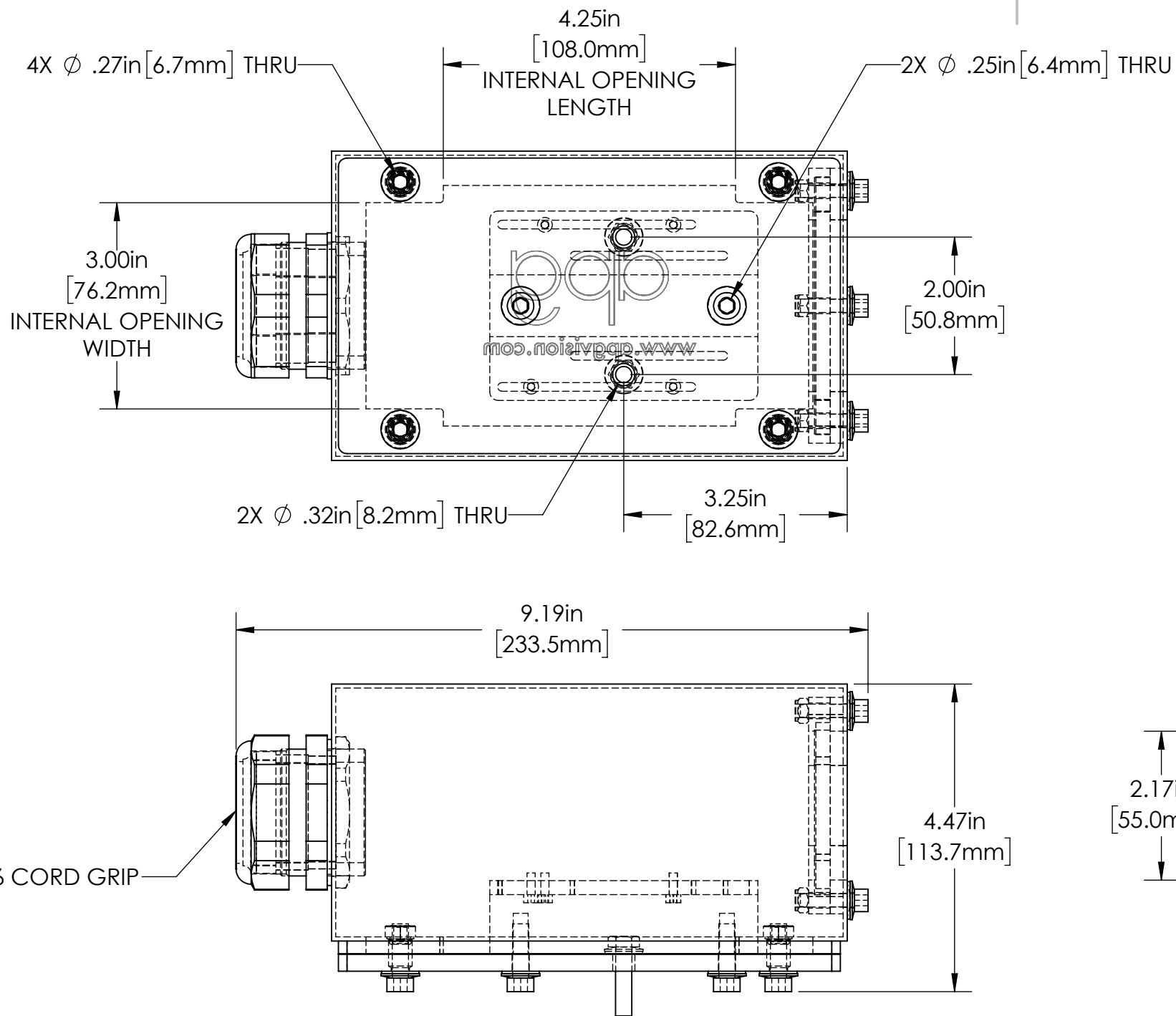


4

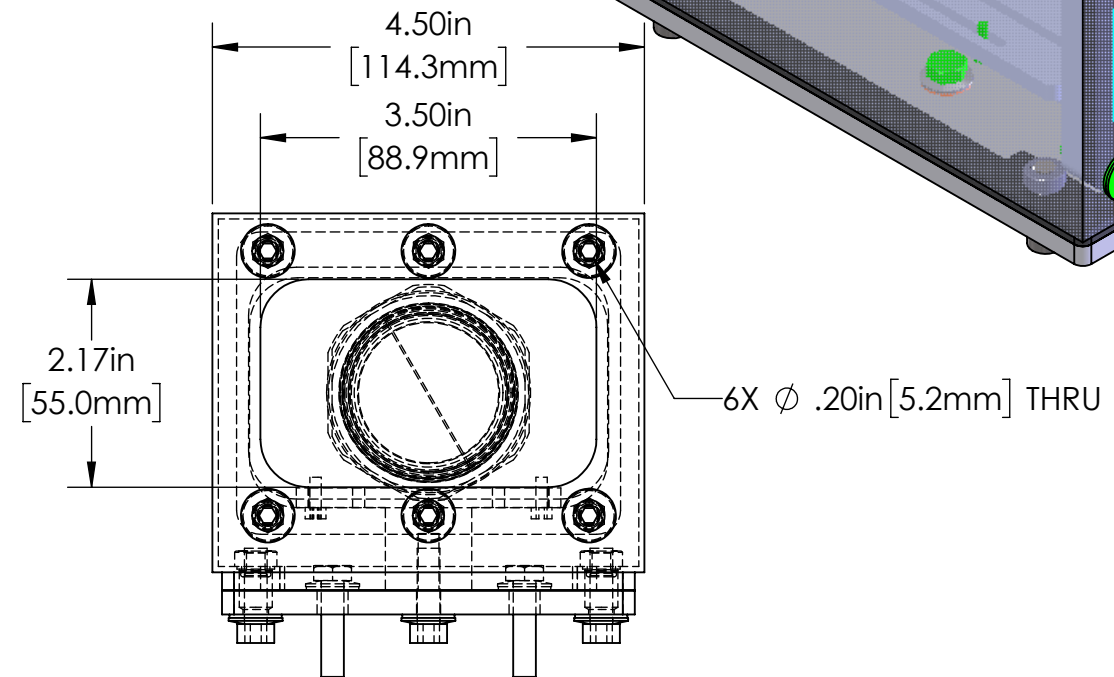
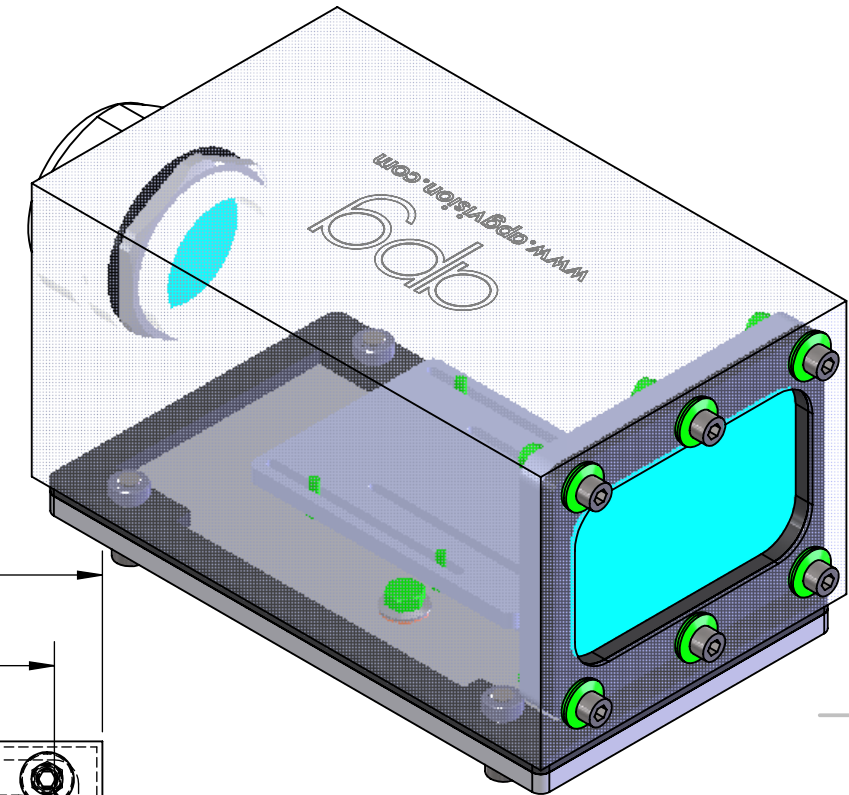
3

2

1



REVISIONS				
ZONE	REV.	DESCRIPTION	DATE	APPROVED
	A		7/30/2019	



B

B

A

A

TOLERANCES UNLESS OTHERWISE SPECIFIED

MACHINING		SHEET METAL	
X.X	0.0250"	HOLE TO HOLE (SAME SURFACE)	X.X 0.030"
X.XX	0.0100"	X.XX	0.010"
X.XXX	0.0050"	X.XXX	0.005"
X.XXXX	0.0005"	X.XXX	0.015"
ANGULAR	0.5°	HOLE TO FOLDED EDGE	X.X 0.035"
DEBURR ALL		X.XX	0.025"
		X.XXX	0.015"
		FOLD TO FOLD	X.X 0.045"
		X.XX	0.035"
		X.XXX	0.020"
		ANGULAR	1.0°

ALL WEIGHTS ARE IN POUNDS

THIS PRINT IS THE PROPERTY OF ALLISON PARK GROUP. THE INFORMATION CONTAINED HEREIN IS CONFIDENTIAL. IT IS NOT TRANSFERABLE. IT IS FURNISHED WITH THE CLEAR UNDERSTANDING THAT IT IS NOT TO BE TRACED, REPRODUCED OR USED IN ANY PROCESS OF MANUFACTURING WITHOUT WRITTEN PERMISSION FROM THE OWNER AND IS RETURNABLE UPON DEMAND. ANY INFRINGEMENT UPON THE PATENT RIGHTS SHOWN HEREIN, WHETHER IN PART OR WHOLE, WILL BE PROSECUTED.

AS PART OF OUR POLICY OF CONTINUING DEVELOPMENT, ALLISON PARK GROUP RESERVES THE RIGHT TO ALTER SPECIFICATIONS WITHOUT PRIOR NOTICE.



Allison Park Group, Inc (APG)  
 4055 Alpha Drive  
 Allison Park, PA 15101 USA  
 Phone +1 (412) 487-8211  
 apgvision.com

DESCRIPTION: <b>42D-AJ ENCLOSURE</b>				
MATERIAL: <b>SEE BOM</b>				
FINISH: <b>SEE BOM</b>				
DRAWN BY: TWD	DATE: 4/1/2020	SCALE: 1:2	SHT-SIZE: B	APPROX. WEIGHT: 1.3419
CHECKED BY:	DATE:	PART NUMBER: <b>42D-AJ</b>		REVISION: <b>A</b>

Sheet 1 of 1

4

3

2

1