

1 2 3 4 5 6

A

B

C

D

A

B

C

D

REVISIONS				
ZONE	REV.	DESCRIPTION	DATE	APPROVED
	A	REDRAWN RELEASED FOR PRODUCTION	2/16/2022	DMM

SECTION A-A

2X
0.134in [3.40mm] X
1.181in [30.00mm] THRU

3.88in
INTERNAL OPENING
WIDTH

6.75in
INTERNAL
OPENING
LENGTH

2.31in

1.46in
[37.0mm]

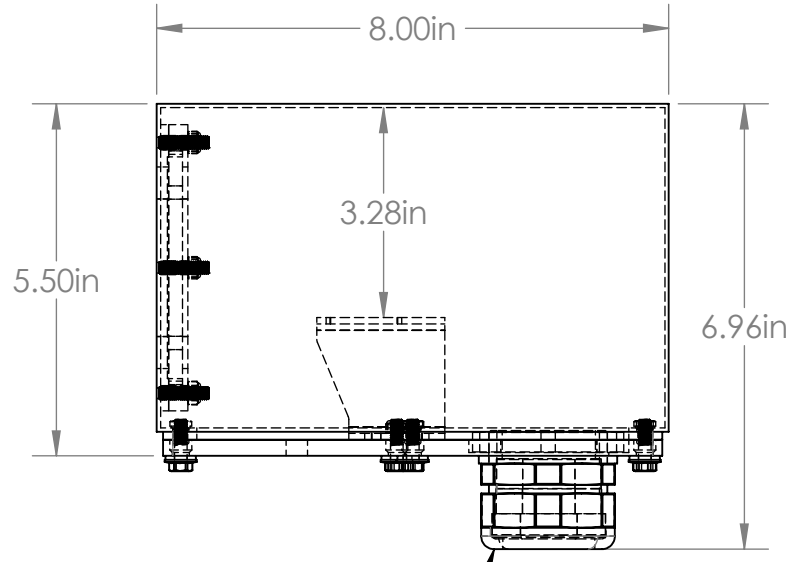
5.13in

3.62in
[92.0mm]

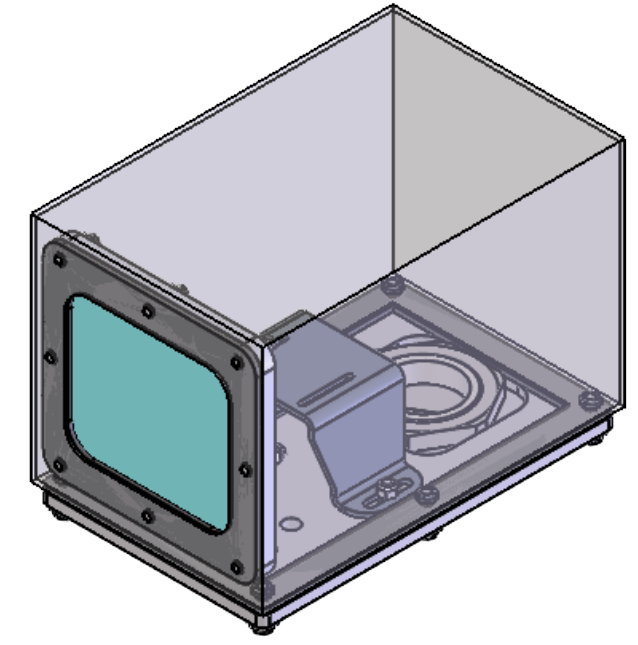
3.15in
[80.0mm]

A

A



PG36 CORD GRIP



NOTE: NOT SUITABLE FOR FOOD-GRADE/FDA WASHDOWN ENVIRONMENT

42S SERIES PROPERTIES TABLE

ENVIRONMENT RATING	IP68*	
	(*RATING MAY CHANGE IF INSTALLER MILLS CABLE GLAND OUTSIDE OF TOLERANCE)	
COMPONENT	MATERIAL	FINISH
BODY/BASE	316 SS	BURNISHED
VIEWPORT	SODA LIME GLASS	AS SUPPLIED
GASKET	VITON	NONE
ARM/ADAPTOR	5052 ALUMINUM	NONE
HARDWARE	316 SS - EXTERNAL, 18-8 SS - INTERNAL	NONE

TOLERANCES UNLESS OTHERWISE SPECIFIED			
MACHINING		SHEET METAL	
X.X	0.0250"	HOLE TO HOLE (SAME SURFACE)	
X.XX	0.0100"	X.X	0.030"
X.XXX	0.0050"	X.XX	0.010"
X.XXXX	0.0005"	X.XXX	0.005"
ANGULAR	0.5°	X.XXX	0.015"
DEBURR	ALL	HOLE TO FOLDED EDGE	
		X.X	0.035"
		X.XX	0.025"
		X.XXX	0.015"
		FOLD TO FOLD	
		X.X	0.045"
		X.XX	0.035"
		X.XXX	0.020"
		X.XXX	ANGULAR 1.0°

APG Vision LLC
4055 Alpha Drive
Allison Park, PA 15101 USA
Phone +1 (412) 487-8211
apgvision.com

apgvision

DESCRIPTION:
42S ENCLOSURE WITH GLASS VIEWPORT AND VITON SEALS

MATERIAL: **SEE PROPERTIES TABLE**

FINISH: **SEE PROPERTIES TABLE**

DRAWN BY:	DATE:	SCALE:	SHT-SIZE:	APPROX. WEIGHT (LBS)
TWD	2/16/2022	1:3	B	6.5230
CHECKED BY:	DATE:	PART NUMBER:	REVISION	
DMM	2/16/2022	42S-BD	A	

Sheet 1 of 1

1 2 3 4 5 6