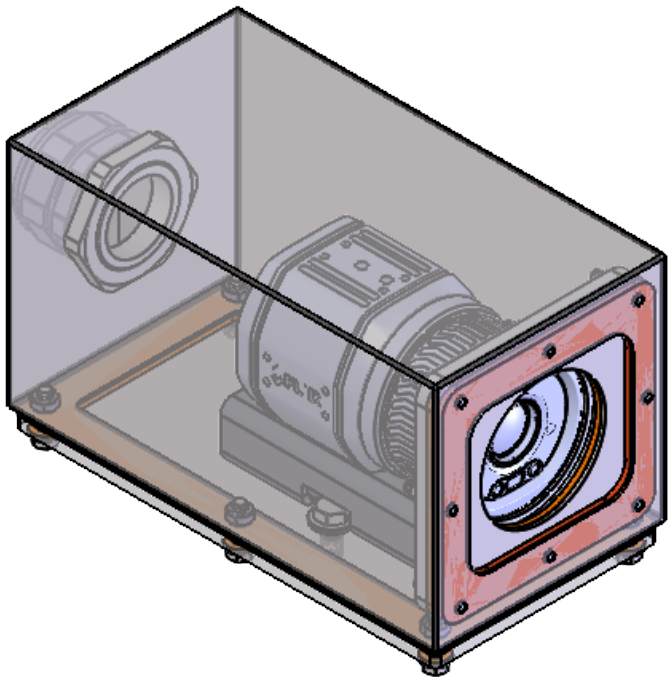


REVISIONS				
ZONE	REV.	DESCRIPTION	DATE	APPROVED
	A	RELEASED FOR PRODUCTION	11/12/2021	DMM



NOTE:  
VIEWPORT NOT INCLUDED

42S SERIES PROPERTIES TABLE		
<b>ENVIRONMENT RATING</b>	IP68*	
	(*RATING MAY CHANGE IF INSTALLER MILLS CABLE GLAND OUTSIDE OF TOLERANCE)	
<b>COMPONENT</b>	<b>MATERIAL</b>	<b>FINISH</b>
BODY/BASE	316 SS	BURNISHED
GASKET	SILICONE	NONE
ARM/ADAPTOR	5052 ALUMINUM	NONE
HARDWARE	316 SS - EXTERNAL, 18-8 SS - INTERNAL	NONE

TOLERANCES UNLESS OTHERWISE SPECIFIED			
<b>MACHINING</b>		<b>SHEET METAL</b>	
X.X	0.0250"	<b>HOLE TO HOLE (SAME SURFACE)</b>	
X.XX	0.0100"	X.X	0.030"
X.XXX	0.0050"	X.XX	0.010"
X.XXXX	0.0005"	X.XXX	0.005"
ANGULAR	0.5°	X.XXX	0.015"
DEBURR ALL		<b>HOLE TO FOLDED EDGE</b>	
		X.X	0.035"
		X.XX	0.025"
		X.XXX	0.015"
		<b>FOLD TO FOLD</b>	
		X.X	0.045"
		X.XX	0.035"
		X.XXX	0.020"
		ANGULAR	1.0°

APG Vision LLC 4055 Alpha Drive Allison Park, PA 15101 USA Phone +1 (412) 487-8211 apgvision.com				
<b>apgvision</b>				
DESCRIPTION: <b>42S ENCLASURE FOR FLIR A400 WITH GERMANIUM VIEWPORT FACEPLATE</b>				
MATERIAL: <b>SEE BOM</b>				
FINISH: SEE BOM				
DRAWN BY: DMM	DATE: 11/12/2021	SCALE: 1:3	SHT-SIZE: B	APPROX. WEIGHT (LBS) 8.6687
CHECKED BY: DMM	DATE: 11/12/2021	PART NUMBER: <b>42S-BO</b>		REVISION A
Sheet 1 of 1				