

1 2 3 4 5 6

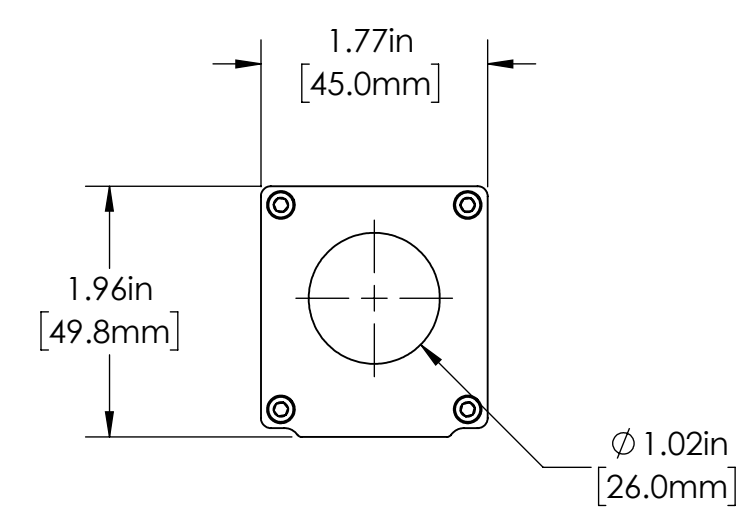
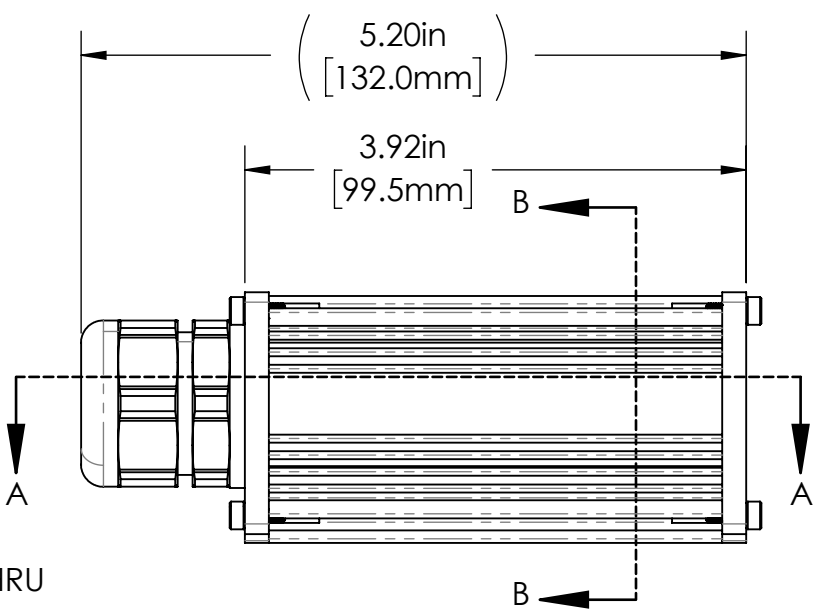
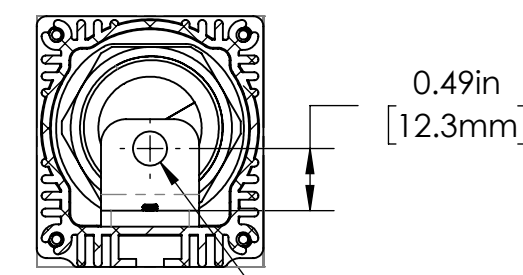
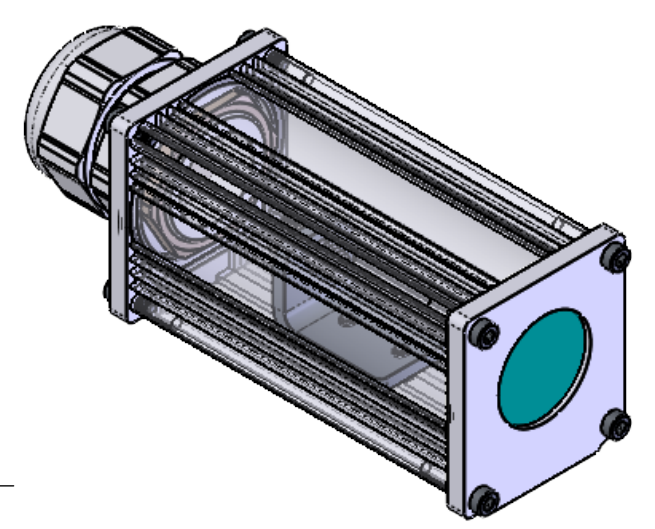
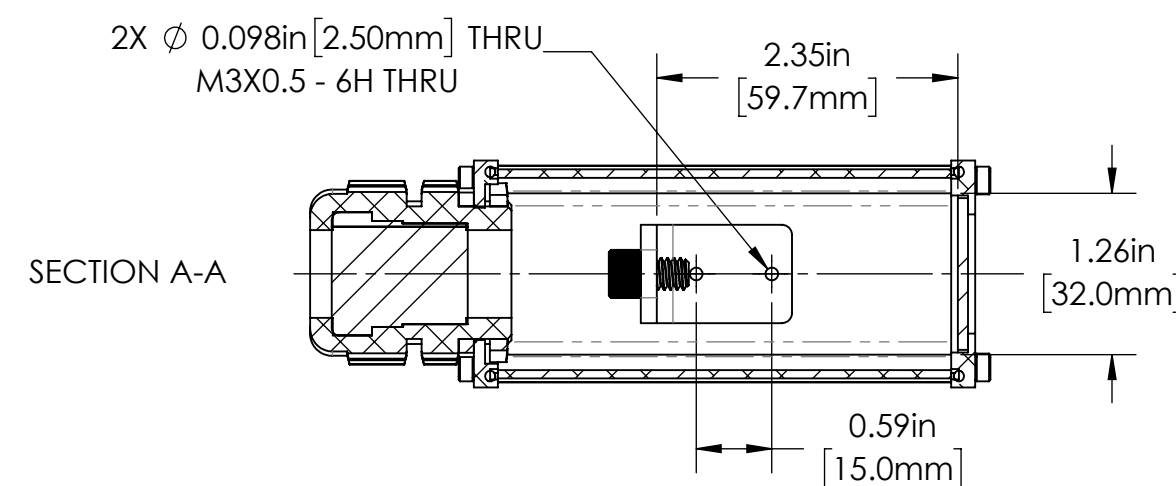
A A

B B

C C

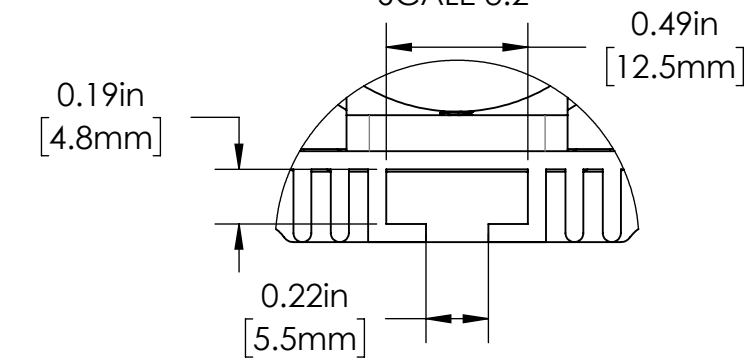
D D

REVISIONS				
ZONE	REV.	DESCRIPTION	DATE	APPROVED
	A	RELEASED FOR PRODUCTION	7/17/2023	TWD



T-SLOT MOUNTING

SCALE 3:2



PROPERTIES TABLE

ENVIRONMENT RATING	IP64*	
	(*RATING MAY CHANGE IF INSTALLER MILLS CABLE GLAND OUTSIDE OF TOLERANCE)	
COMPONENT	MATERIAL	FINISH
BODY	6061 ALUM	CLEAR HARDCOAT ANODIZED
VIEWPORT	CLEAR FLOW COAT ACRYLIC	ABR2
O-RING	BUNA-N	AS SUPPLIED
ARM/ADAPTOR	5052 ALUM	DUAL ACTION
HARDWARE	18-8 SS	AS SUPPLIED

TOLERANCES UNLESS OTHERWISE SPECIFIED			
MACHINING		SHEET METAL	
X.X	0.0250"	HOLE TO HOLE (SAME SURFACE)	X.X 0.030"
X.XX	0.0100"		X.XX 0.010"
X.XXX	0.0050"		X.XXX 0.005"
X.XXXX	0.0005"		X.XXXX 0.005"
ANGULAR	0.5°	HOLE TO FOLDED EDGE	X.X 0.035"
DEBURR ALL			X.XX 0.025"
			X.XXX 0.015"
		FOLD TO FOLD	X.X 0.045"
			X.XX 0.035"
			X.XXX 0.020"
			ANGULAR 1.0°

APG Vision LLC
4055 Alpha Drive
Allison Park, PA 15101 USA
Phone +1 (412) 487-8211
apgvision.com

apgvision

DESCRIPTION:
EH 90MM ENCLOSURE, PG21 CORD GRIP, ACRYLIC VIEWPORT

MATERIAL: **SEE BOM**

FINISH: **SEE BOM**

DRAWN BY: MTB	DATE: 7/17/2023	SCALE: 2:3	SHT-SIZE: B	APPROX. WEIGHT (LBS): 0.4489
CHECKED BY: TWD	DATE: 7/17/2023	PART NUMBER: EH-AD		REVISION: A

Sheet 1 of 1

1 2 3 4 5 6