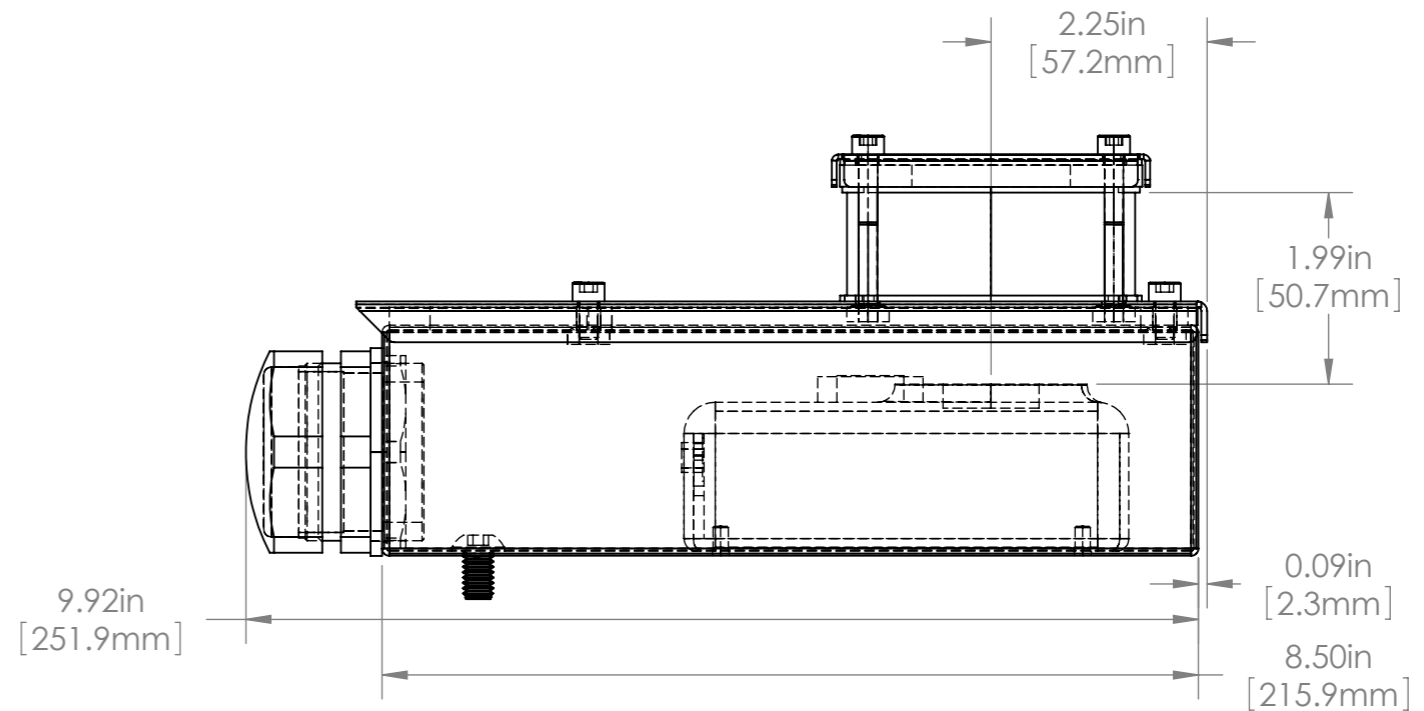
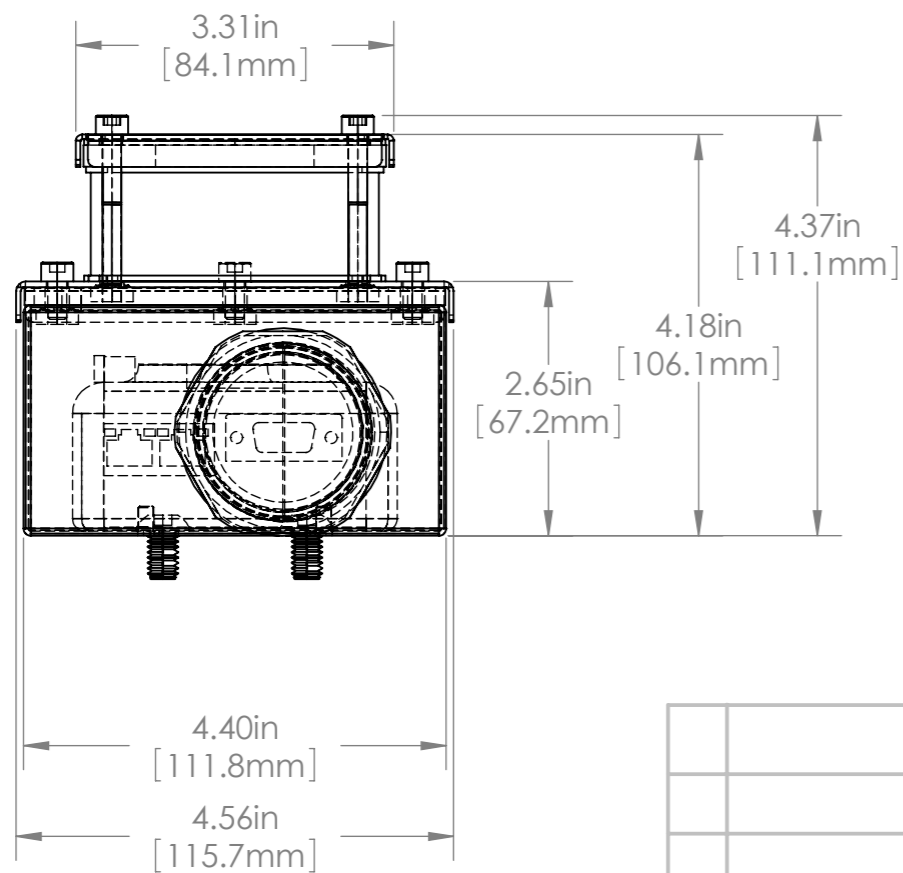
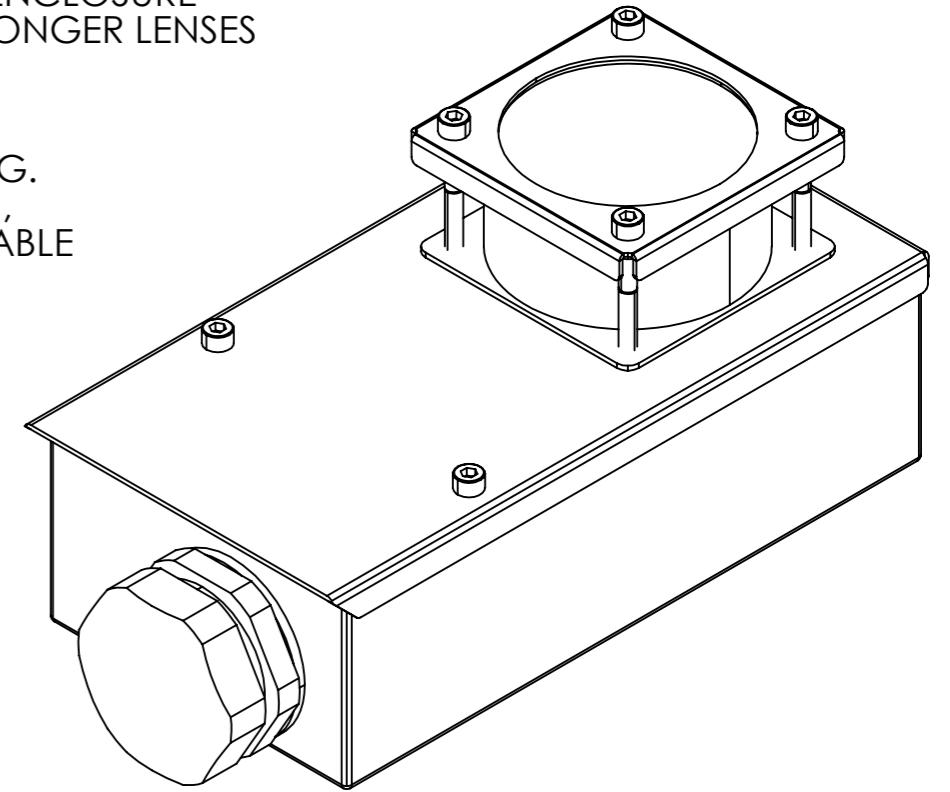
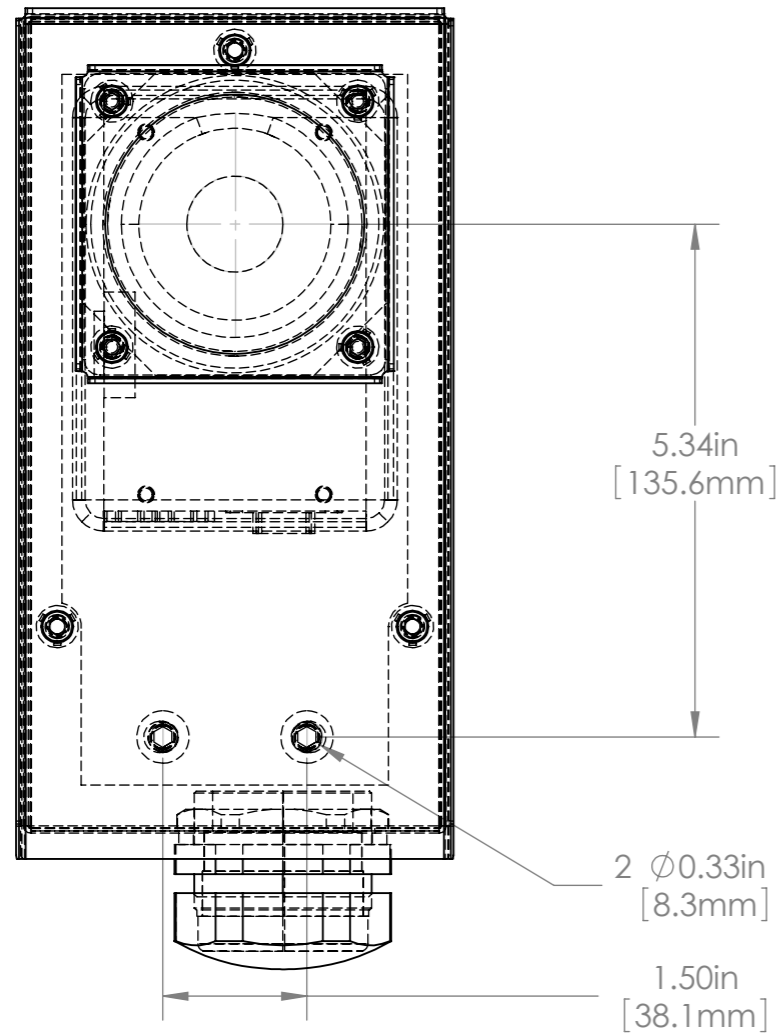


1.8in (46mm) LENS LENGTH AVAILABLE IN STANDARD ENCLOSURE
 EXTENDER KITS ARE AVAILABLE TO ACCOMMODATE LONGER LENSES

STANDARD LENS TUBE IS 1.06in (27mm) LONG.
 1.5in (38mm), 1.97in (50mm), 2.44in (62mm),
 3.5in (89mm), & 4.57in (116mm) ARE AVAILABLE



UNLESS OTHERWISE SPECIFIED: DIMENSIONS ARE IN INCHES SURFACE FINISH: TOLERANCES: .000= +/- 0.005" .00= +/- 0.010"				FINISH:		Allison Park Group, Inc. (APG) 4055 Alpha Drive Allison Park, PA 15101 USA Phone +1 (412) 487-8211 Fax +1 (412) 486-3157 www.apgvision.com	DO NOT SCALE DRAWING	REVISION
				DEBUR AND BREAK SHARP EDGES			This document is the property of APG and is considered company confidential. The information in this document is the property of APG and may not be used, reproduced, or distributed in whole or in part without the prior written permission of APG.	
				NAME	SIGNATURE	DATE	TITLE: L15-AA ENCLOSURE DIMS	
				DRAWN	SCHUBERT	7/20/2010		
				CHK'D				
				APPVD				
				MFG				
				Q.A				
				NOTES:				
				MATERIAL:		304 Stainless Steel	DWG NO.	L15-AA (SS)
				WEIGHT:			SCALE: 1:5	A3
NO.	CHANGE	DATE	INIT.	SHEET 1 OF 1				