

4

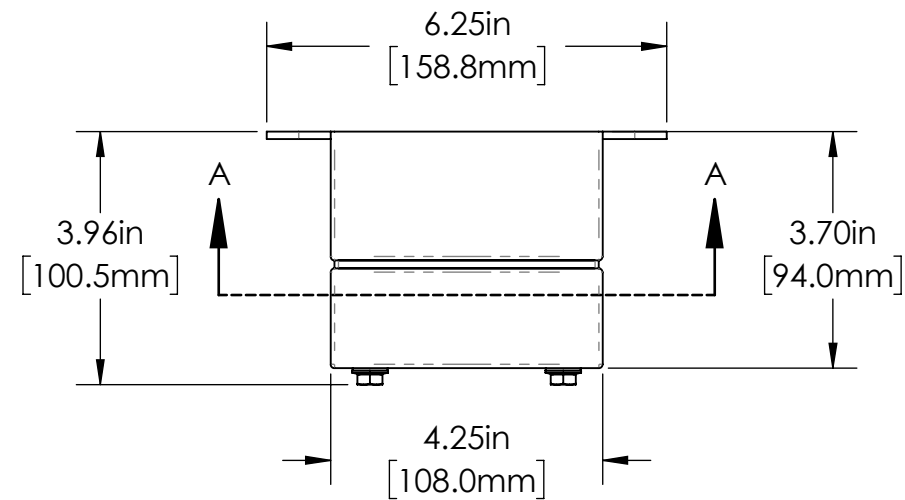
3

2

1

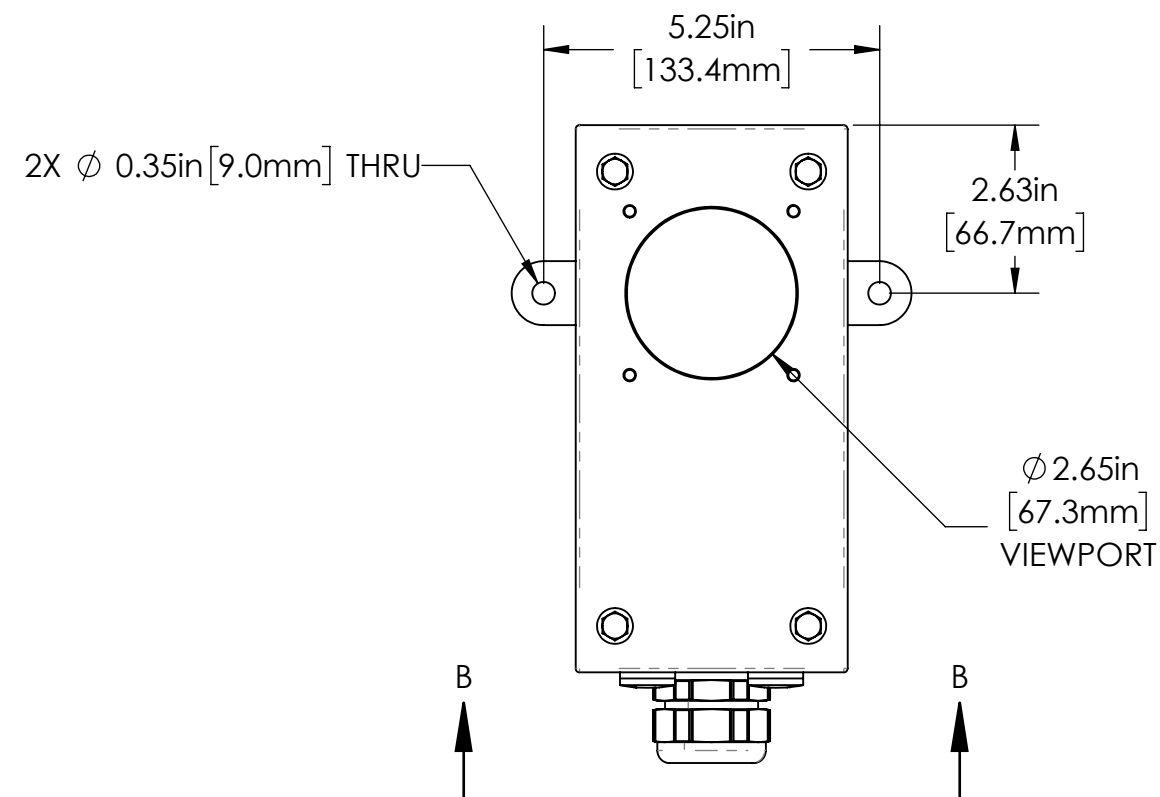
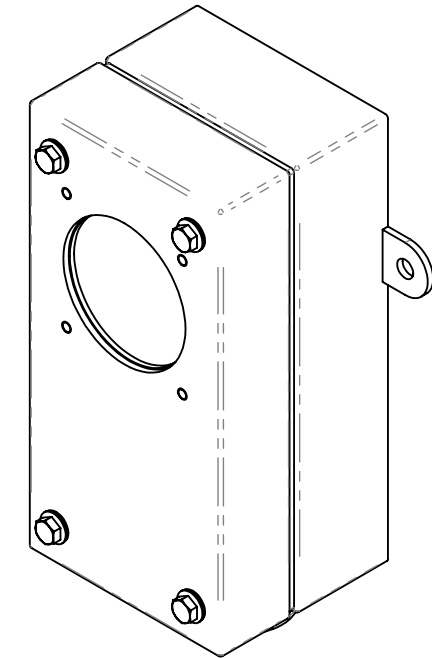
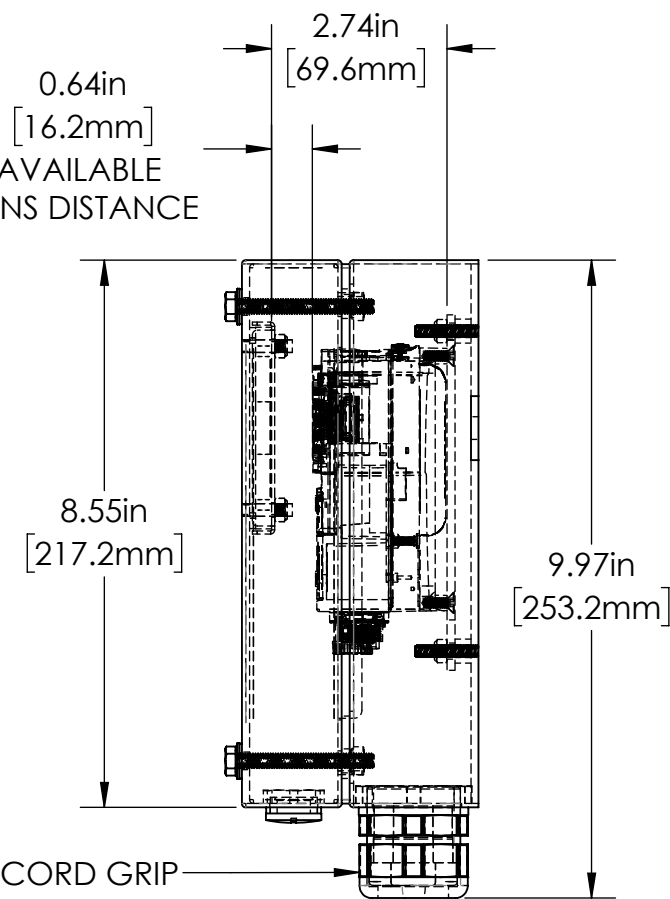
## REVISIONS

ZONE	REV.	DESCRIPTION	DATE	APPROVED
	A	RELEASED FOR PRODUCTION	10/23/2020	DMM



DISTANCE TO WINDOW  
ADJUSTABLE WITH  
PROVIDED SPACERS

0.64in  
[16.2mm]  
AVAILABLE  
LENS DISTANCE



## L7 PROPERTIES TABLE

ENVIRONMENT RATING	IP68*	
	(*RATING MAY CHANGE IF INSTALLER MILLS CABLE GLAND OUTSIDE OF TOLERANCE)	
COMPONENT	MATERIAL	FINISH
BODY	316 SS	BURNISHED
VIEWPORT	ACRYLIC	ABR2
GASKET	40D SILICONE	NONE
ARM/ADAPTOR	6061 ALUM	AS SUPPLIED
HARDWARE	316 SS - EXTERNAL, 18-8 SS - INTERNAL	AS SUPPLIED

TOLERANCES UNLESS OTHERWISE SPECIFIED

## MACHINING

X.X	0.0250"
X.XX	0.0100"
X.XXX	0.0050"
X.XXXX	0.0005"
ANGULAR	0.5°
DEBURR ALL	

## SHEET METAL

HOLE TO HOLE (SAME SURFACE)	
X.X	0.030"
X.XX	0.010"
X.XXX	0.005"

## HOLE TO FOLDED EDGE

X.X	0.035"
X.XX	0.025"
X.XXX	0.015"

## FOLD TO FOLD

X.X	0.045"
X.XX	0.035"
X.XXX	0.020"
ANGULAR	1.0°

ALL WEIGHTS ARE IN POUNDS

THIS PRINT IS THE PROPERTY OF ALLISON PARK GROUP. THE INFORMATION CONTAINED HEREIN IS CONFIDENTIAL. IT IS NOT TRANSFERABLE. IT IS FURNISHED WITH THE CLEAR UNDERSTANDING THAT IT IS NOT TO BE TRACED, REPRODUCED OR USED IN ANY PROCESS OF MANUFACTURING WITHOUT WRITTEN PERMISSION FROM THE OWNER AND IS RETURNABLE UPON DEMAND. ANY INFRINGEMENT UPON THE PATENT RIGHTS SHOWN HEREIN, WHETHER IN PART OR WHOLE, WILL BE PROSECUTED.

AS PART OF OUR POLICY OF CONTINUING DEVELOPMENT, ALLISON PARK GROUP RESERVES THE RIGHT TO ALTER SPECIFICATIONS WITHOUT PRIOR NOTICE.

Allison Park Group, Inc (APG)  
4055 Alpha Drive  
Allison Park, PA 15101 USA  
Phone +1 (412) 487-8211  
apgvision.com

DESCRIPTION:

L7 ENCLOSURE FOR COGNEX D900  
(STANDARD UPPER & LOWER)

MATERIAL:

SEE BOM

FINISH:

SEE BOM

DRAWN BY:

DMM

DATE:

10/23/2020

SCALE:

1:3

SHT-SIZE:

B

APPROX. WEIGHT

CHECKED BY:

DMM

DATE:

10/23/2020

PART NUMBER:

L7-EC

REVISION

A

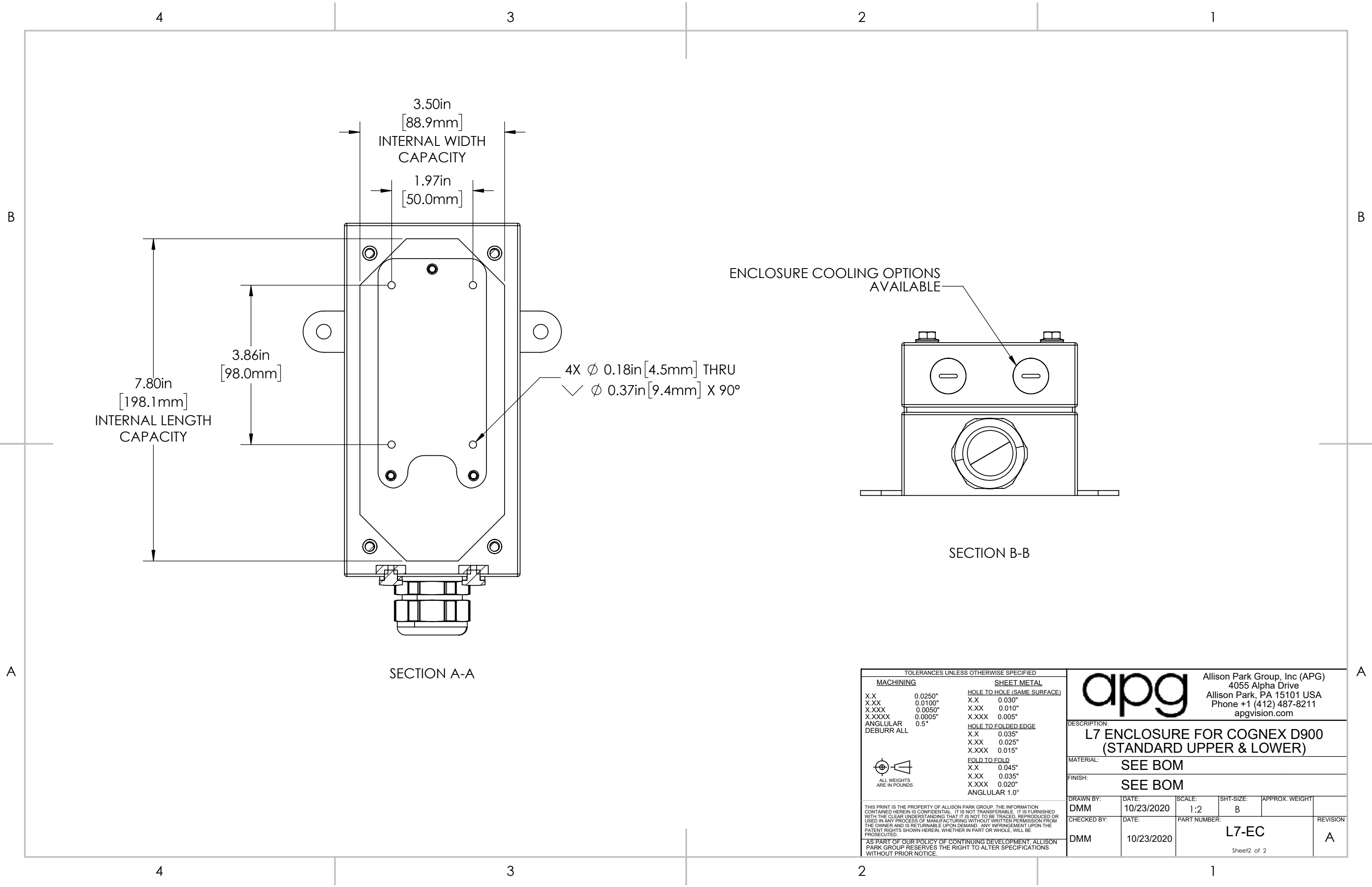
Sheet 1 of 2

4

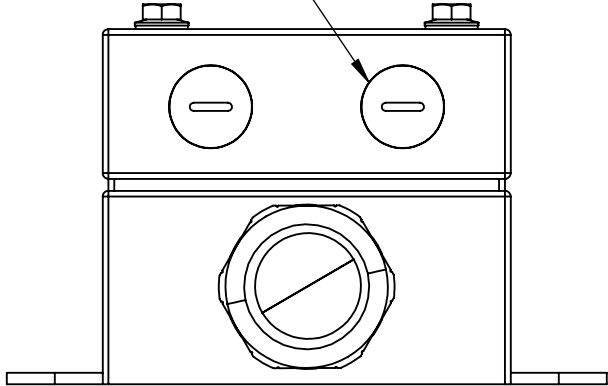
3

2

1



ENCLOSURE COOLING OPTIONS AVAILABLE



SECTION B-B

SECTION A-A

MACHINING		SHEET METAL	
X.X	0.0250"	HOLE TO HOLE (SAME SURFACE)	
X.XX	0.0100"	X.X	0.030"
X.XXX	0.0050"	X.XX	0.010"
X.XXXX	0.0005"	X.XXX	0.005"
ANGULAR	0.5°	HOLE TO FOLDED EDGE	
DEBURR ALL		X.X	0.035"
		X.XX	0.025"
		X.XXX	0.015"
		FOLD TO FOLD	
		X.X	0.045"
		X.XX	0.035"
		X.XXX	0.020"
		ANGULAR 1.0°	

ALL WEIGHTS ARE IN POUNDS

THIS PRINT IS THE PROPERTY OF ALLISON PARK GROUP. THE INFORMATION CONTAINED HEREIN IS CONFIDENTIAL. IT IS NOT TRANSFERABLE. IT IS FURNISHED WITH THE CLEAR UNDERSTANDING THAT IT IS NOT TO BE TRACED, REPRODUCED OR USED IN ANY PROCESS OF MANUFACTURING WITHOUT WRITTEN PERMISSION FROM THE OWNER AND IS RETURNABLE UPON DEMAND. ANY INFRINGEMENT UPON THE PATENT RIGHTS SHOWN HEREIN, WHETHER IN PART OR WHOLE, WILL BE PROSECUTED.
  
AS PART OF OUR POLICY OF CONTINUING DEVELOPMENT, ALLISON PARK GROUP RESERVES THE RIGHT TO ALTER SPECIFICATIONS WITHOUT PRIOR NOTICE.



Allison Park Group, Inc (APG)  
 4055 Alpha Drive  
 Allison Park, PA 15101 USA  
 Phone +1 (412) 487-8211  
 apgvision.com

DESCRIPTION:  
**L7 ENCLOSURE FOR COGNEX D900  
 (STANDARD UPPER & LOWER)**

MATERIAL: **SEE BOM**

FINISH: **SEE BOM**

DRAWN BY:	DATE:	SCALE:	SHT-SIZE:	APPROX. WEIGHT:
DMM	10/23/2020	1:2	B	

CHECKED BY:	DATE:	PART NUMBER:	REVISION:
DMM	10/23/2020	L7-EC	A

Sheet2 of 2