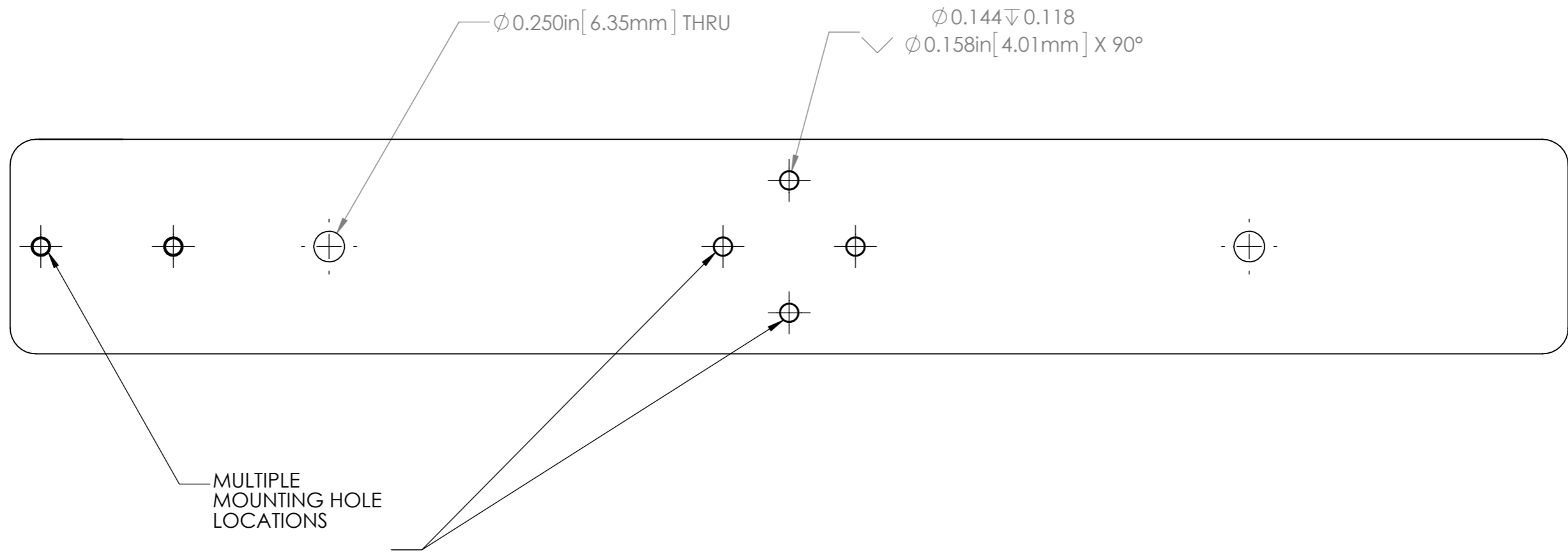


				UNLESS OTHERWISE SPECIFIED: DIMENSIONS ARE IN INCHES SURFACE FINISH: TOLERANCES: .000= +/- 0.005" .00= +/- 0.010"		FINISH: <b>BURNISHED</b>		Allison Park Group, Inc. (APG) 4055 Alpha Drive Allison Park, PA 15101 USA		DO NOT SCALE DRAWING		REVISION	
				LINEAR:		DEBUR AND BREAK SHARP EDGES		Phone +1 (412) 487-8211 Fax +1 (412) 486-3157		This document is the property of APG and is considered company confidential. The information in this document is the property of APG and may not be used, reproduced, or distributed in whole or in part without the prior written permission of APG.			
				DRAWN		SIGNATURE		www.apgvision.com		TITLE: <b>PTU-LC (AI 6212 Light Mount)</b>			
				CHK'D		DATE		MATERIAL: 304 Stainless Steel		DWG NO.		A3	
				APP'VD				WEIGHT:		SCALE: 1:2		SHEET 1 OF 2	
				MFG									
				Q.A									
				NOTES:									
NO.	CHANGE	DATE	INIT.										



				UNLESS OTHERWISE SPECIFIED: DIMENSIONS ARE IN INCHES SURFACE FINISH: TOLERANCES: .000= +/- 0.005" .00= +/- 0.010"		FINISH: <b>BURNISHED</b>		DO NOT SCALE DRAWING		REVISION	
				LINEAR:		DEBUR AND BREAK SHARP EDGES		Allison Park Group, Inc. (APG) 4055 Alpha Drive Allison Park, PA 15101 USA		This document is the property of APG and is considered company confidential. The information in this document is the property of APG and may not be used, reproduced, or distributed in whole or in part without the prior written permission of APG	
				DRAWN		SIGNATURE		Phone +1 (412) 487-8211 Fax +1 (412) 486-3157		TITLE: <b>PTU-LC (AI 6212 Light Mount)</b>	
				SCHUBERT		5/3/2012		www.apgvision.com			
				CHK'D				www.apgvision.com			
				APPV'D							
				MFG				MATERIAL: 304 STAINLESS STEEL		DWG NO. <b>PTU-LC</b>	
				Q.A						A3	
				NOTES:							
				NO.		CHANGE		DATE		INIT.	
				WEIGHT:				SCALE: 1:2		SHEET 2 OF 2	