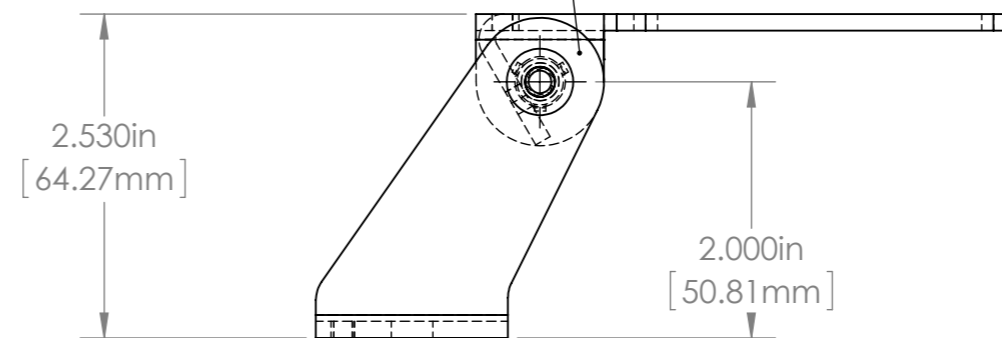
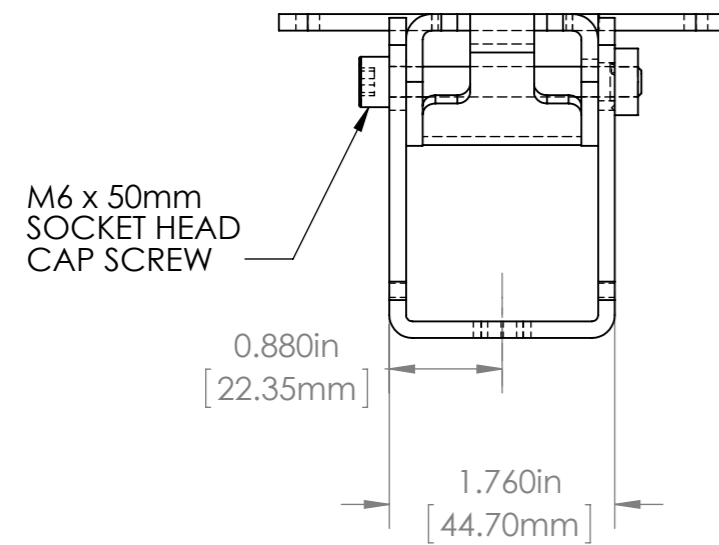


BRACKET ADJUSTABLE THROUGH WIDE RANGE OF ANGLES



				UNLESS OTHERWISE SPECIFIED: DIMENSIONS ARE IN INCHES SURFACE FINISH: TOLERANCES: .000= +/- 0.005" .00= +/- 0.010"	FINISH: BURNISHED	Allison Park Group, Inc. (APG) 4055 Alpha Drive Allison Park, PA 15101 USA Phone +1 (412) 487-8211 Fax +1 (412) 486-3157 www.apgvision.com	DO NOT SCALE DRAWING	REVISION	
				LINEAR:	DEBUR AND BREAK SHARP EDGES		This document is the property of APG and is considered company confidential. The information in this document is the property of APG and may not be used, reproduced, or distributed in whole or in part without the prior written permission of APG.		
						TITLE: PTU-LD (Smart Vision Lights S75)			
				NAME	SIGNATURE		DATE		
				DRAWN	SCHUBERT		1/26/2011		
				CHK'D					
				APP'VD					
				MFG					
				Q.A					
				NOTES:			MATERIAL: 304 Stainless Steel	DWG NO. PTU-LD	A3
NO.	CHANGE	DATE	INIT.			WEIGHT:	SCALE: 1:2	SHEET 1 OF 1	