

1 2 3 4 5 6

A

B

C

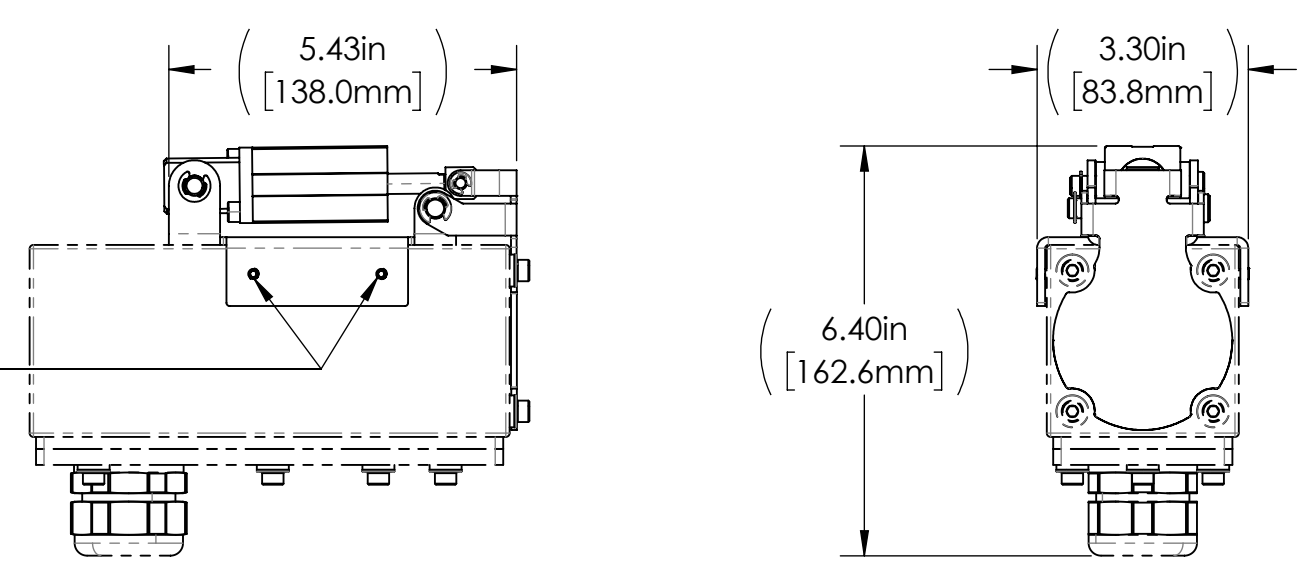
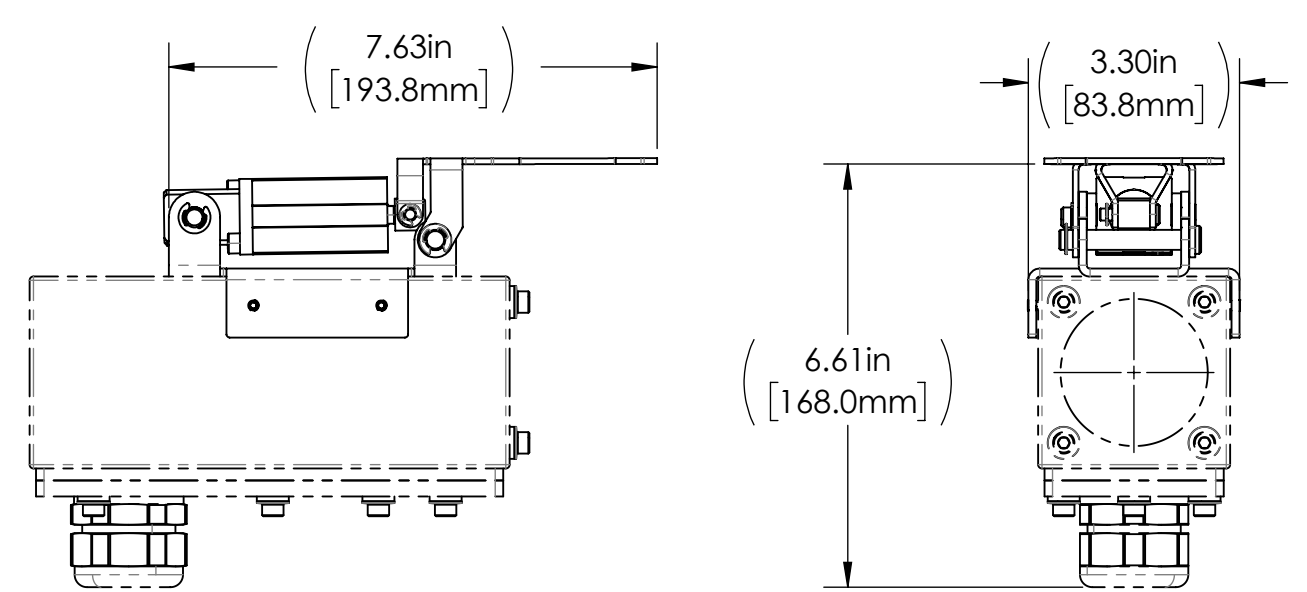
D

A

B

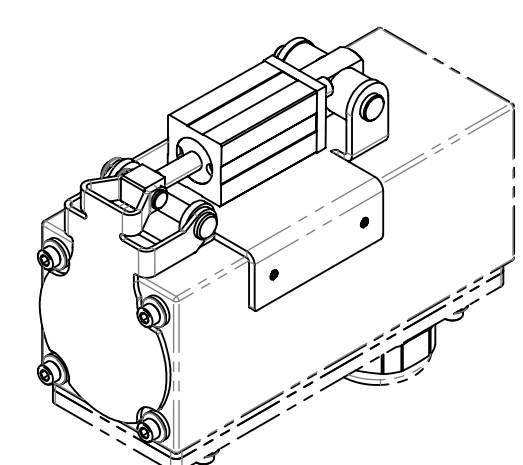
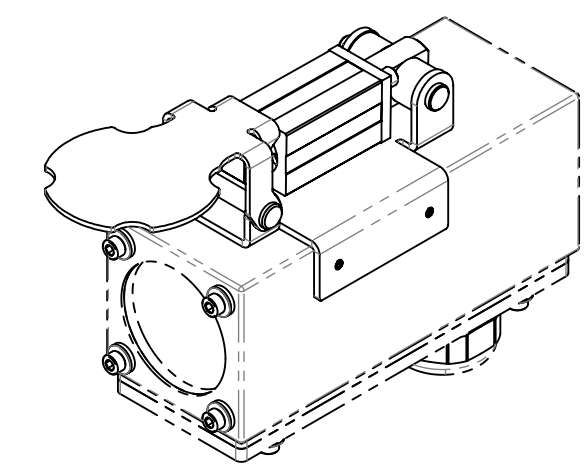
C

D



SECURED WITH 4X M5 SET SCREWS

REVISIONS				
ZONE	REV.	DESCRIPTION	DATE	APPROVED
	A	RELEASED FOR PRODUCTION	1/24/2023	DMM



NOTE:
ENCLOSURE SHOWN FOR REF ONLY

SA PROPERTIES TABLE

COMPONENT	MATERIAL	FINISH
SHUTTER	5052 ALMUMINUM	CLEAR HARDCOAT ANODIZED
ADAPTER	5052 ALMUMINUM	CLEAR HARDCOAT ANODIZED
PNEUMATICS	ALUMINIUM	AS SUPPLIED
HARDWARE	18-8 STAINLESS ZINC PLATED STEEL NYLON PLASTIC	NONE

TOLERANCES UNLESS OTHERWISE SPECIFIED

MACHINING		SHEET METAL	
X.X	0.0250"	HOLE TO HOLE (SAME SURFACE)	
X.XX	0.0100"	X.X	0.030"
X.XXX	0.0050"	X.XX	0.010"
X.XXXX	0.0005"	X.XXX	0.005"
ANGULAR	0.5°	HOLE TO FOLDED EDGE	
DEBURR ALL		X.X	0.035"
		X.XX	0.025"
		X.XXX	0.015"
		FOLD TO FOLD	
		X.X	0.045"
		X.XX	0.035"
		X.XXX	0.020"
		ANGULAR 1.0°	

THIS PRINT IS THE PROPERTY OF APG VISION LLC. THE INFORMATION CONTAINED HEREIN IS CONFIDENTIAL. IT IS NOT TRANSFERABLE. IT IS FURNISHED WITH THE CLEAR UNDERSTANDING THAT IT IS NOT TO BE TRACED, REPRODUCED OR USED IN ANY PROCESS OF MANUFACTURING WITHOUT WRITTEN PERMISSION FROM THE OWNER AND IS RETURNABLE UPON DEMAND. ANY INFRINGEMENT UPON THE PATENT RIGHTS SHOWN HEREIN, WHETHER IN PART OR WHOLE, WILL BE PROSECUTED.

AS PART OF OUR POLICY OF CONTINUING DEVELOPMENT, APG VISION LLC RESERVES THE RIGHT TO ALTER SPECIFICATIONS WITHOUT PRIOR NOTICE.

APG Vision LLC
4055 Alpha Drive
Allison Park, PA 15101 USA
Phone +1 (412) 487-8211
apgvision.com

apgvision

DESCRIPTION:
30D SHEET METAL SHUTTER ASSEMBLY

MATERIAL: **SEE PROPERTIES TABLE**

FINISH: **SEE PROPERTIES TABLE**

DRAWN BY: TWD	DATE: 1/24/2023	SCALE: 1:3	SHT-SIZE: B	APPROX. WEIGHT (LBS): 3.4093
CHECKED BY: DMM	DATE: 1/24/2023	PART NUMBER: SA-BF		REVISION: A

Sheet 1 of 1

1 2 3 4 5 6