

PG Split Cable Gland

apg

Allison Park Group, Inc.

The PG Series cord grips are a low cost, highly configurable solution for creating a watertight seal around one or more cables of varying sizes.

Product Features

- No need to remove and reinstall connectors from cables for installation
- Creates a liquid tight seal around cables
- Protection Rating: IP67
NEMA 4X if cable diameter = Insert hole diameter
- Protection Rating: IP65
NEMA 3 if cable diameter is up to 10% less than Insert hole diameter

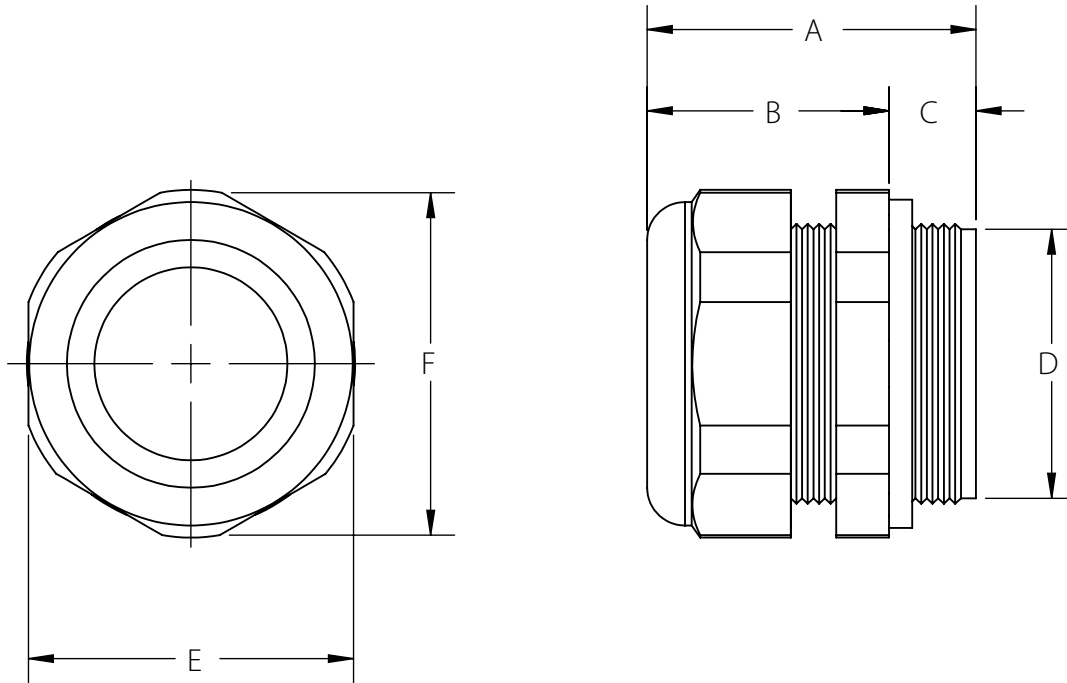
Construction

- Polyamide body and locknut
- TPE-V insert
- PET seal



Universal models	Dimension A	B	C	D	E	F
Model PG16-BA	42mm	32	10	22.5	27	30
Model PG21-BA	47.5mm	36.5	11	28.3	33	36.6
Model PG29-BA	53.5mm	43.5	11	37	42	46.3
Model PG36-BA	66.5mm	54	13	47	53	58
Specialty models						
Model PG16-BC	27.5	21	6.5	22.5	24	26.7
Model PG16-BD	27.5	21	6.5	22.5	24	26.7
Model PG21-BC	32	25	7	28.3	30	33.5
Model PG21-BD	32	25	7	28.3	30	33.5
Model PG29-BC	35	27	8	37	40	43.5
Model PG29-BD	35	27	8	37	40	43.5
Model PG36-BC	37	28	9	47	50	54
Model PG36-BD	37	28	9	47	50	54

PG Split Cable



POLYAMIDE CORD GRIPS [mm (in)]						
SIZE	A	B	C	D	E	F
PG11	32.0 (1.3)	23.0 (0.9)	9.0 (0.3)	18.6 (0.7)	22.0 (0.9)	24.0 (0.9)
PG16	33.0 (1.3)	23.0 (0.9)	9.0 (0.3)	22.5 (0.9)	27.0 (1.0)	29.5 (1.2)
PG21	40.0 (1.6)	29.0 (1.1)	11.0 (0.4)	28.3 (1.1)	33.0 (1.3)	36.5 (1.4)
PG29	44.0 (1.7)	33.0 (1.3)	11.0 (0.4)	37.0 (1.5)	43.0 (1.7)	46.5 (1.8)
PG36	47.0 (1.8)	33.0 (1.3)	14.0 (0.5)	47.0 (1.8)	53.0 (2.1)	57.0 (2.2)

NICKEL PLATED BRASS CORD GRIP [mm (in)]						
SIZE	A	B	C	D	E	F
PG16	27.5 (1.1)	21.0 (0.8)	6.5 (0.3)	22.5 (0.9)	24.0 (0.9)	26.7 (1.0)
PG21	32.0 (1.3)	25.0 (1.0)	7.0 (0.3)	28.3 (1.1)	30.0 (1.2)	33.5 (1.3)
PG29	35.0 (1.4)	27.0 (1.1)	8.0 (0.3)	37.0 (1.5)	40.0 (1.6)	43.5 (1.7)
PG36	37.0 (1.5)	28.0 (1.1)	9.0 (0.3)	47.0 (1.8)	50.0 (2.0)	54.0 (2.1)

4055 Alpha Drive, Allison Park, PA 15101

www.apgvision.com

412.487.8211

Fax: 412.486.3157



Allison Park Group, Inc.